



Extender X1.7 f/3.8 fix 0.45-0.9

By Ophir | P/N 680332

Extender for the Sony FCB-EX980SP camera.



Key features:

- Compatible with the Sony FCB-EX980SP
- Increases EFL by 70%
- Easy to install
- Optimized for a range of applications including aerial, ground and marine time applications
- Exclusive product

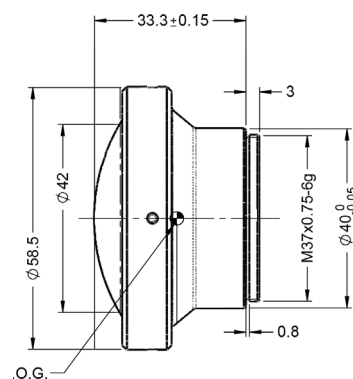
Extend the effective focal length of your Sony FCB-EX980SP camera by 70%.

The Sony FCB-EX980SP color block camera features an impressive 26x high telephoto zoom. Now, with the X1.7 extender, you can maintain this high optical performance while benefiting from an increased detection range. The X1.7 improves the camera's FOV from 42.2° wide end and 1.6° tele end, up to 24.8° wide end and 0.95° tele end.

Equipped with the X1.7, your Sony camera is optimized for homeland and critical site security, as well as border control, perimeter surveillance, and traffic monitoring applications. It is suitable for use in the harshest of weather conditions.

Due to the discontinuation of Sony's equivalent accessory, the X1.7 **is the only product of its kind on the market**. It is manufactured using Ophir's high performance materials and components, for an unparalleled level of quality.

Property	Value
Optical	
Extention value	1.7
Entrence beam diameter	42
Exit beam diameter	25
Average transmission (Photopic spectrum)	>90%
Mechanical	
Weight	133g
Dimensions	Ø59mm * 34mm
Environmental	
Operation temperature	-30°C ÷ +80°C.
Storage temprature	-30°C ÷ +80°C.
Sealing	no sealed
External coating	AR Coating



About Ophir IR

With decades worth of knowledge and experience, Ophir Optronics Solutions LTD., Infrared Optics, an MKS Company (NASDAQ: MKSI), is a world-leading designer and manufacturer of high performance IR thermal lenses and optical elements for SWIR, MWIR & LWIR imaging. Using advanced technologies, innovative engineering, and design configurations, Ophir provides a global solution for homeland security, surveillance, automotive and commercial applications: IR Components and complex lens assemblies with fixed or motorized focus and zoom lenses.

International Headquarters

Ophir Optronics Solutions Ltd.

Science Based Industrial Park
Har Hotzvim P.O.B 45021
Jerusalem, 9145001 Israel
Tel: 972-2-548-4444
Fax: 972-2-582-2338
mktg@ophiropt.com
www.ophiroptics.com

EUROPE - France

Ophir Optronics Solutions Ltd.

La Chenevarie 42140
Virigneux
France
Tel: 33-9-7785-3478
Fax: 972-2-5822 338
gilles.delic@ophiropt.com
www.ophiroptics.com

USA

Ophir-Spiricon, LLC

3050 North 300 West
North Logan, UT 84341,
USA
Tel: 435-753-3729
Fax: 435-753-5231
optics@ophiroptics.com
www.ophiropt.com

