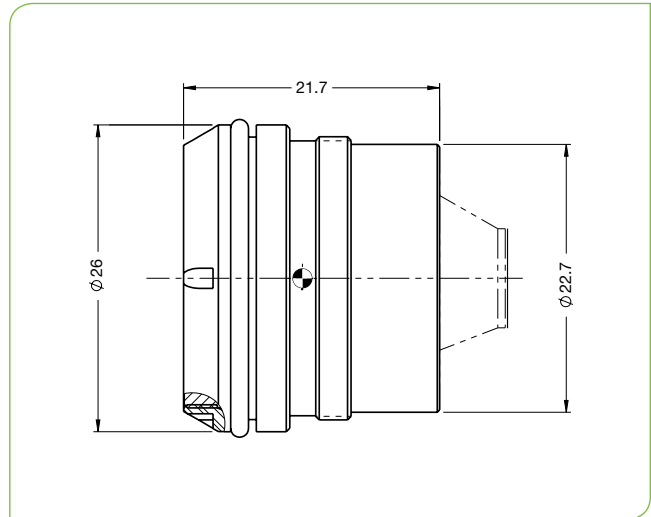


# SupIR 8.7mm f/1.0, Fixed Athermalized 680310

TYPICAL ICD\*



**HD**  
FORMAT



LWIR | 1-FOV

HFOV	320x240	384x288	640x480	1024x768
17μ	35.3°	42.4°	71.8°	
12μ	24.9°	29.9°	50.1°	
10μ	20.8°	24.9°	41.6°	67.4°

Property	Value				
<b>Optical</b>					
Focal Length	8.7mm				
F#	1.0				
Average transmission (8-12μm)	90% (HD) / 88% (HC)				
Back Focal Length	7.39mm in air				
<b>Mechanical</b>					
Focus Mechanism	Fixed				
Depth of Field	6m to infinity				
Focus Range	0.2m to infinity				
Weight	25.4gr				
Max. Dimensions	Ø26.0mm x 21.7mm				
<b>Environmental</b>					
Operation Temperature	-40°C to +80°C				
Storage Temperature	-54°C to +85°C				
Sealing	IP 67 front element only				
<b>Configurations</b>	<b>Weight (gr)</b>	<b>Dimensions</b>	<b>BWD**</b>	<b>Thread</b>	<b>Coating</b>
680310-005	25.4	Ø26.0mm x 21.7mm	5.76	M24x0.5	HD
680310-006					HC

\* The ICD drawing provided here is primarily a representation and may not accurately reflect the product's actual dimensions and specifications. For precise integration specifications contact your local sales representative.

\*\* The BWD value is calculated for a unique detector setup with varying sealing windows in terms of thickness and material. For more details, contact your local sales representative.