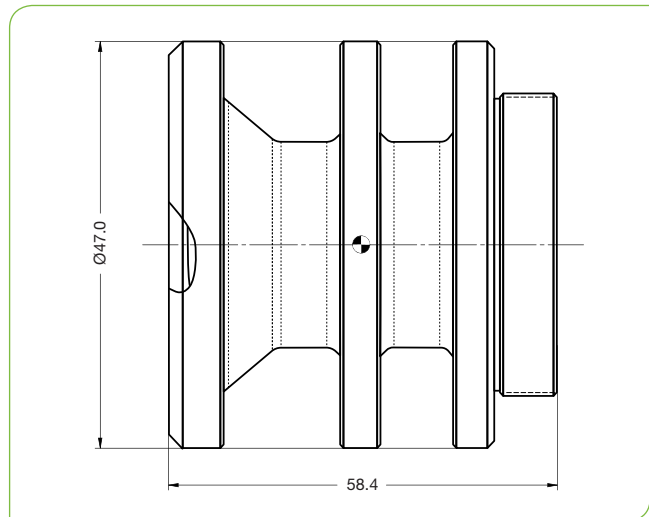


SupIR 6.5mm f/1.0, Fixed Athermalized 680423*

TYPICAL ICD*



HD
FORMAT



HFOV	320x240	384x288	640x480	1024x768
25μ	64°	74.2°		
17μ	45.6°	53.8°	82°	
12μ	32.9°	39.1°	61.8°	90°
10μ	27.6°	32.9°	52.9°	78.2°

LWIR | 1-FOV

Property	Value				
Optical					
Focal Length	6.5mm				
F#	1.0				
Average transmission (8-12μm)	>93% (HD)				
Back Focal Length	12.89mm in air				
Mechanical					
Focus Mechanism	Fixed				
Depth of Field	1.6m to infinity				
Focus Range	0.8m to infinity				
Weight	132gr				
Max. Dimensions	Ø47.0mm x 58.4mm				
Environmental					
Operation Temperature	-40°C to +80°C				
Storage Temperature	-40°C to +80°C				
Sealing	IP 67 front element only				
Configurations	Weight (gr)	Dimensions	BWD**	Thread	Coating
680423-002	132	Ø47.0mm x 58.4mm	9.3	M36x0.5	HD

* Requires export license

* The ICD drawing provided here is primarily a representation and may not accurately reflect the product's actual dimensions and specifications. For precise integration specifications contact your local sales representative.

** The BWD value is calculated for a unique detector setup with varying sealing windows in terms of thickness and material. For more details, contact your local sales representative.