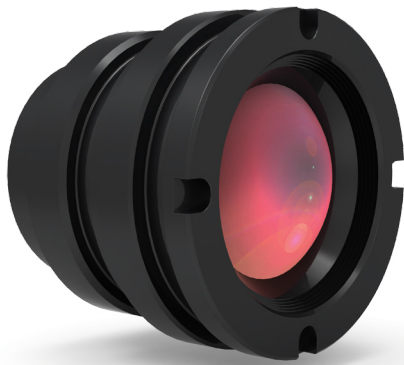
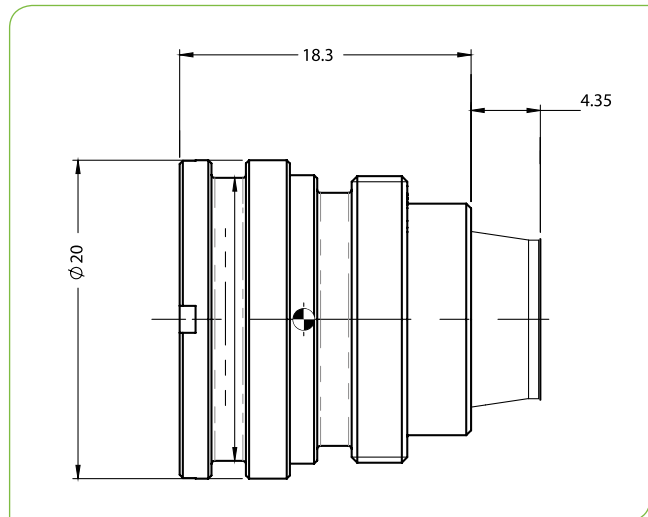


SupIR 9.2mm f/1.0, Fixed Athermalized 680407

TYPICAL ICD*



HD
FORMAT



LWIR | 1-FOV

HFOV	320x240	384x288	640x480	672x544	1024x768
25μ	52.3°	65.1°			
17μ	34.6°	41.9°	77.9°	84.8°	
12μ	24.2°	29.1°	50.0°	52.8°	
10μ	20.1°	24.2°	41.0°	43.2°	71.1°

Property	Value				
Optical					
Focal Length	9.2mm				
F#	1.0				
Average transmission (8-12μm)	92% (HD) / 84% (HC)				
Back Focal Length	6.85mm in air				
Mechanical					
Focus Mechanism	Fixed				
Depth of Field	4m to infinity				
Focus Range	0.5m to infinity				
Weight	see configurations table below				
Max. Dimensions	see configurations table below				
Environmental					
Operation Temperature	-40°C to +80°C				
Storage Temperature	-55°C to +85°C				
Sealing	IP 67 front element only				
Configurations	Weight (gr)	Dimensions	BWD**	Thread	Coating
680407-001	12.8	Ø20.0mm x 18.3mm	4.35	M18x0.5	HD
680407-002					HC
680407-003	13.4	Ø19.95mm x 14.4mm	6.93	M19x0.5	HD
680407-004					HC

* The ICD drawing provided here is primarily a representation and may not accurately reflect the product's actual dimensions and specifications. For precise integration specifications contact your local sales representative.

** The BWD value is calculated for a unique detector setup with varying sealing windows in terms of thickness and material. For more details, contact your local sales representative.