

SupIR 15-75mm f/1.2, Motorized Continuous Zoom 680386



LWIR | ZOOM

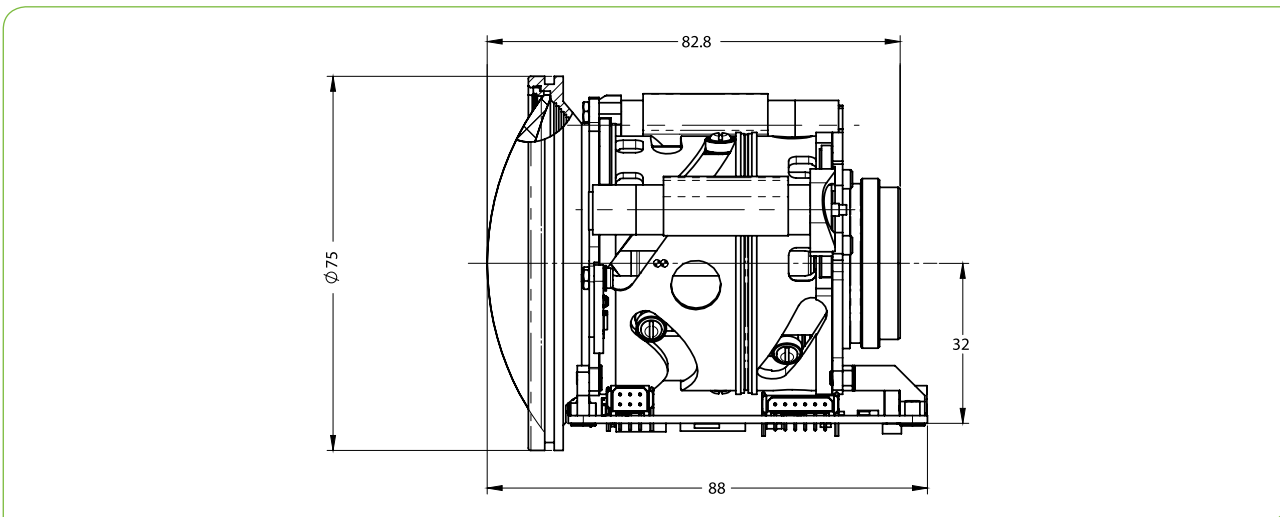
WFOV(15mm)

HFOV	320x240	640x480
25μ	31.2°	
17μ	20.9°	43.4°
12μ	14.7°	29.9°
10μ		24.8°

NFOV(75mm)

HFOV	320x240	640x480
25μ	6.0°	
17μ	4.1°	8.2°
12μ	2.9°	5.8°
10μ		4.9°

Property	Value	
Optical	WFOV	NFOV
Focal Length	15mm	75mm
F#	1.2	
Average transmission (8-12μm)	90% (HD); 84% (HC)	
Back Focal Length	20.76mm in air	24.28mm in air
Minimum Focus Range	7m	18m
Nuc (by defocus)	Yes	
Mechanical		
Focus Mechanism	Motorized	
Focus Time (minimum range to ∞)	≤1 sec.	
Zoom Mechanism	Motorized	
Zoom Time (NFOV to WFOV)	≤5.5 sec.	
Weight	see configuration table below	
Max. Dimensions	see configuration table below	



LWIR | ZOOM

Property	Value				
Electrical					
Lens Control	Designated lens controller				
Supply Voltage	12V				
Current Consumption	<0.15A average, 0.3A peak				
Communication Protocol	RS485, RS422, RS232				
Environmental					
Operation Temperature	-32°C to +70°C				
Storage Temperature	-40°C to +80°C				
Sealing	IP 67 front element only				
Configurations	Weight (gr)	Dimensions	BWD**	Interface	Coating
680386-001	335	Ø75mm x 82.8mm	6	M34x0.5	HD
680386-002					HC
680386-003	328	Ø75mm x 79.1mm	9.7	M34x0.5	HD
680386-004					HC
680386-005	325	Ø75mm x 72.2mm	16.55	4x M2, 2.5deep	HD
680386-006					HC

* The ICD drawing provided here is primarily a representation and may not accurately reflect the product's actual dimensions and specifications. For precise integration specifications contact your local sales representative.

** The BWD value is calculated for a unique detector setup with varying sealing windows in terms of thickness and material. For more details, contact your local sales representative.

*** Adapters for different cameras are available upon request