

# SupIR 35/110/450mm f/4.0, Motorized Focus 680374



**HD**  
FORMAT

## WFOV(35mm)

HFOV	640x512	1280X1024
15μ	15.2°	
10μ	10.3°	20.0°

## MFOV(110mm)

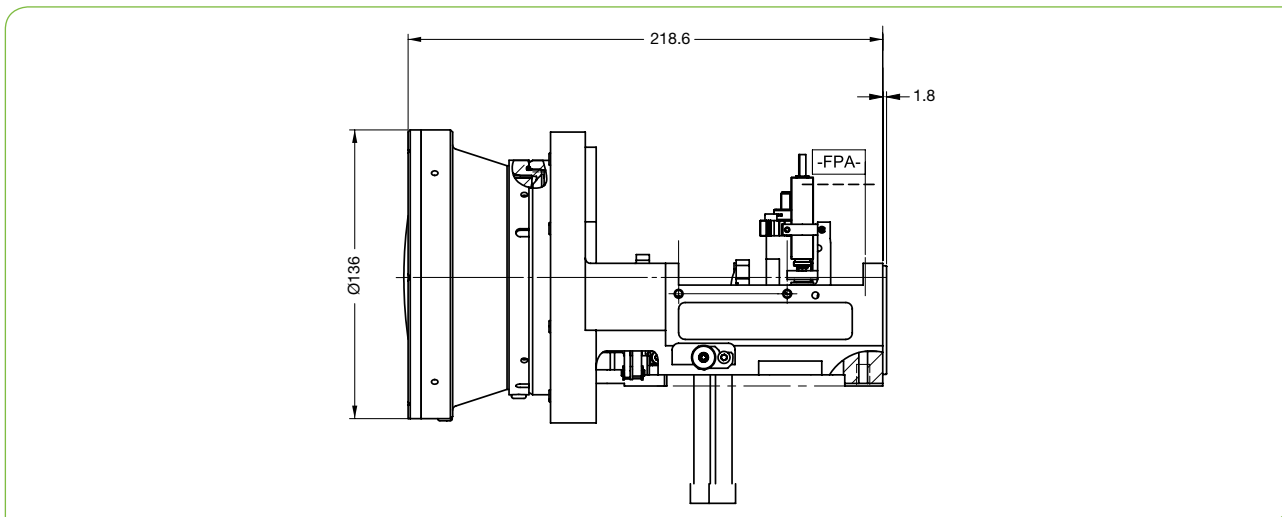
HFOV	640x512	1280X1024
15μ	4.9°	
10μ	3.3°	6.4°

## NFOV(450mm)

HFOV	640x512	1280X1024
15μ	1.2°	
10μ	0.8°	1.6°

MWIR | Multiple FOV

Property	Value		
<b>Optical</b>	<b>WFOV</b>	<b>MFOV</b>	<b>NFOV</b>
Focal Length	35mm	110mm	450mm
F/#	4.0		
Average Transmission (HD) (3.4-5μm)	83%	85%	88%
Average Transmission (HC) (3.4-5μm)	81%	83%	86%
Cold stop to FPA Distance	19.4mm		
Cold stop CA	Ø4.85mm		
Back Focal Length	26.53mm in air		
Minimum Focusing Range	5m	10m	50m
<b>Mechanical</b>			
Focus Mechanism	Motorized		
Focus Time (Full travel)	≤5.5 sec.		
FOV Switch Mechanism	Motorized		
FOV Switch Time	≤1 sec. at T ≥ 0°C; ≤2 sec. at -40°C		
Through-zoom Boresight WFOV	Within Diameter of 0.3mm		
Through-zoom Boresight NFOV&MFOV	Within Diameter of 0.12mm		
Weight	2.4kg		
Max. Dimensions	Ø136mm x 218.6mm		



Property	Value
<b>Electrical</b>	
Focus Motor	7.5VDC < 0.06A (Contin. Current 0.05A) -32°C++65°C, with 6V+12V. -40°C++65°C, with 7.5V+12V.
Drive Voltage	7.5V-12V
Current Consumption	0.05A Average, 0.06A peak
FOV Motor	7.5VDC < 0.06A (Contin. Current 0.05A) -32°C++65°C, with 6V+12V. -40°C++65°C, with 7.5V+12V.
<b>Environmental</b>	
Operating Temperature	-40°C to +65°C
Storage Temperature	-54°C to +71°C
Sealing	IP 67 front element only
Vibration-Operation	Composite wheeled vehicle, Vertical:2.1grms, Transverse: 1.6grms, Longitudinal: 1.96grms
Vibration-Storage	Composite wheeled vehicle, Vertical:2.1grms, Transverse: 1.6grms, Longitudinal: 1.96grms
Mechanical Shock-Storage & Storage	40g, 11ms
<b>Configurations</b>	
680374-001	High Durability, 640x512 pixels, 15µ pitch, BWD**=8mm
680374-002	Hard Carbon, 640x512 pixels, 15µ pitch, BWD**=8mm

\* The ICD drawing provided here is primarily a representation and may not accurately reflect the product's actual dimensions and specifications. For precise integration specifications contact your local sales representative.

\*\* The BWD value is calculated for a unique detector setup with varying sealing windows in terms of thickness and material. For more details, contact your local sales representative.