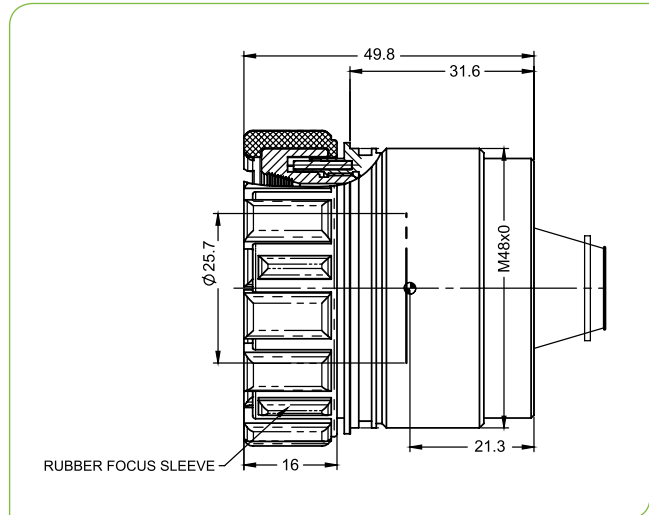


SupIR 25mm f/1.0, Manual Focus 680319*

TYPICAL ICD*



HD
FORMAT



HFOV	320x240	384x288	640x480	1024x768
25 μ	18.1°	21.6°		
17 μ	12.4°	14.8°	24.4°	
12 μ	8.8°	10.5°	17.4°	27.4°

Property	Value				
Optical					
Focal Length	25mm				
F#	1.0				
Average transmission (8-12 μ m)	90% (HC)				
Back Focal Length	13.46mm in air				
Mechanical					
Focus Mechanism	Manual				
Depth of Field	16m to infinity				
Focus Range	1.0m to infinity				
Weight	134gr				
Max. Dimensions	Ø54mm x 49.8mm				
Environmental					
Operation Temperature	-40°C to +70°C				
Storage Temperature	-50°C to +80°C				
Sealing	IP 67 front element only				
Configurations	Weight (gr)	Dimensions	BWD**	Thread	Coating
680319-001	134	Ø54mm x 49.8mm	12.15	M48x0.75	HD
680319-002					HC

* Requires export license

* The ICD drawing provided here is primarily a representation and may not accurately reflect the product's actual dimensions and specifications. For precise integration specifications contact your local sales representative.

** The BWD value is calculated for a unique detector setup with varying sealing windows in terms of thickness and material. For more details, contact your local sales representative.