

LightIR 20-275mm f/5.5, Motorized Continuous Zoom 680314



WFOV(20mm)

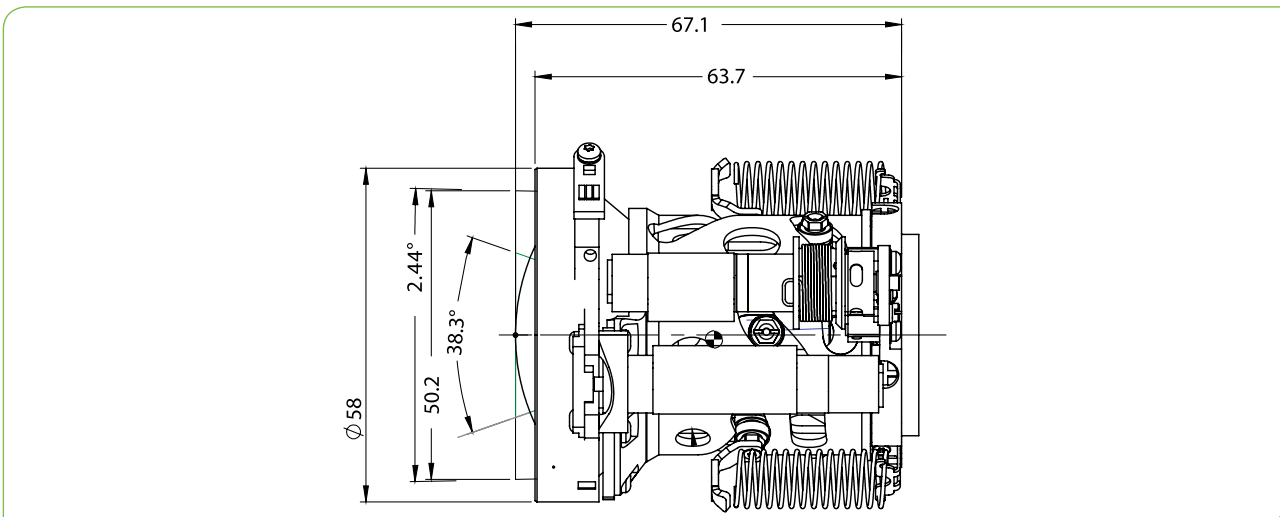
| | |
|------|---------|
| HFOV | 640x512 |
| 15μ | 28.0° |

NFOV(275mm)

| | |
|------|---------|
| HFOV | 640x512 |
| 15μ | 1.9° |

MWIR | ZOOM

| Property | Value | |
|---------------------------------|--|-------------|
| Optical | WFOV | NFOV |
| Focal Length | 20mm | 275mm |
| F/# | 5.5 | |
| Cold Stop to FPA Distance | 19.7mm | |
| Cold Stop CA | Ø3.52mm | |
| Average Transmission (3.4-5μm) | ≥92 (HD) / 87% (LRHC) | |
| Back Focal Length | 23.52mm in air | |
| Minimum Focus Range | 5m | 50m |
| Nuc (by defocus) | Yes | |
| Mechanical | | |
| Focus Mechanism | Motorized | |
| Focus Time (minimum range to ∞) | ≤8 sec. | |
| Zoom Mechanism | Motorized | |
| Zoom Time (NFOV to WFOV) | ≤5 sec. | |
| Through-zoom boresight | Within a radius of 0.15mm at the focal plane | |
| Weight | 264gr | |
| Max. Dimensions | Ø58mm x 67.1mm | |



MWIR | ZOOM

| Property | Value |
|------------------------|------------------------------|
| Electrical | |
| Lens Control | Designated lens controller |
| Supply Voltage | 12V |
| Current Consumption | 0.2A average, 1.0A peak |
| Communication Protocol | RS485, RS422 |
| Environmental | |
| Operating Temperature | -35°C to + 65°C |
| Storage Temperature | -40°C to + 80 °C |
| Sealing | IP 67 front element only |
| Configurations | |
| 680314-001 | High Durability |
| 680314-002 | Low Reflection Hard Carbon** |
| 680314-003 | HD with folded control card |
| 680314-004 | HC with folded control card |

* NOTE: The ICD drawing provided here is primarily a representation and may not accurately reflect the product's actual dimensions and specifications. For precise integration specifications contact your local sales representative.

** For detailed LRHC coating specifications see page 13