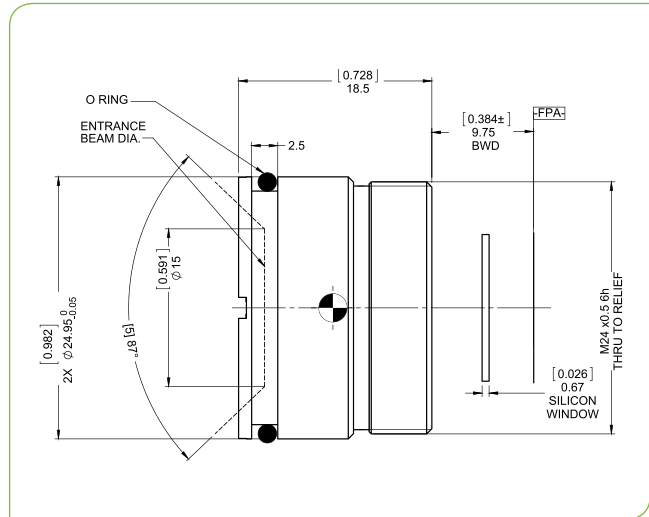


SupIR 8.9mm f/1.4, Fixed Athermalized 680275

TYPICAL ICD*



	320x240	384x288	640x480
HFOV			
25μ	51.1°	61.1°	
17μ	34.9°	41.8°	69.0°
12μ	24.3°	29.1°	

Property	Value				
Optical					
Focal Length	8.9mm				
F#	1.4				
Average transmission (8-12μm)	94% (HD) / 87% (HC)				
Back Focal Length	11.55mm in air				
Mechanical					
Focus Mechanism	Fixed				
Depth of Field	5m to infinity				
Focus Range	0.2m to infinity				
Weight	21gr				
Max. Dimensions	Ø24.95mm x 18.5mm				
Environmental					
Operation Temperature	-40°C to +80°C				
Storage Temperature	-55°C to +85°C				
Sealing	IP 67 front element only				
Configurations	Weight (gr)	Dimensions	BWD**	Thread	Coating
680275-001	21	Ø24.95mm x 18.5mm	9.75	M24x0.5	HD
680275-002					HC

* The ICD drawing provided here is primarily a representation and may not accurately reflect the product's actual dimensions and specifications. For precise integration specifications contact your local sales representative.

** The BWD value is calculated for a unique detector setup with varying sealing windows in terms of thickness and material. For more details, contact your local sales representative.