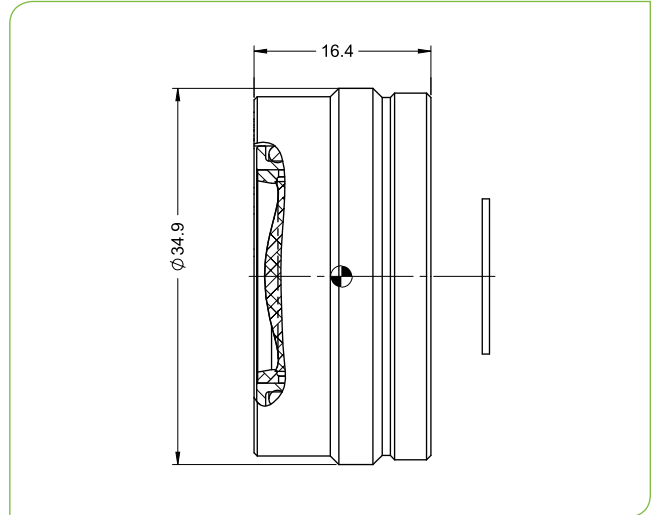


# SupIR 16.7mm f/1.25, Fixed Athermalized 680186

TYPICAL ICD\*



**HD**  
FORMAT



HFOV	320x240	384x288	640x480	1024x768
25μ	27.5°	33.0°		
17μ	18.7°	22.4°	37.5°	
12μ	13.2°	15.8°	26.4°	42.5°

LWIR | 1-FOV

Property	Value				
<b>Optical</b>					
Focal Length	16.7mm				
F#	1.25				
Average transmission (8-12μm)	94% (HD)				
Back Focal Length	11.41mm in air				
<b>Mechanical</b>					
Focus Mechanism	Fixed				
Depth of Field	10m to infinity				
Focus Range	1.4m to infinity				
Weight	25.5gr				
Max. Dimensions	Ø34.9mm x 16.4mm				
<b>Environmental</b>					
Operation Temperature	-40°C to +80°C				
Storage Temperature	-50°C to +85°C				
Sealing	IP 67 front element only				
Configurations	Weight (gr)	Dimensions	BWD**	Thread	Coating
680186-003					HD
680186-004	25.5	Ø34.9mm x 16.4mm	9.7		HC
680186-007				M34x0.5	HE
680186-005	34	Ø34.9mm x 19.74mm	6.64		HD
680186-006					HC

\* The ICD drawing provided here is primarily a representation and may not accurately reflect the product's actual dimensions and specifications. For precise integration specifications contact your local sales representative.

\*\* The BWD value is calculated for a unique detector setup with varying sealing windows in terms of thickness and material. For more details, contact your local sales representative.