

SupIR 15-60mm f/1.4, Motorized Continuous Zoom 680164



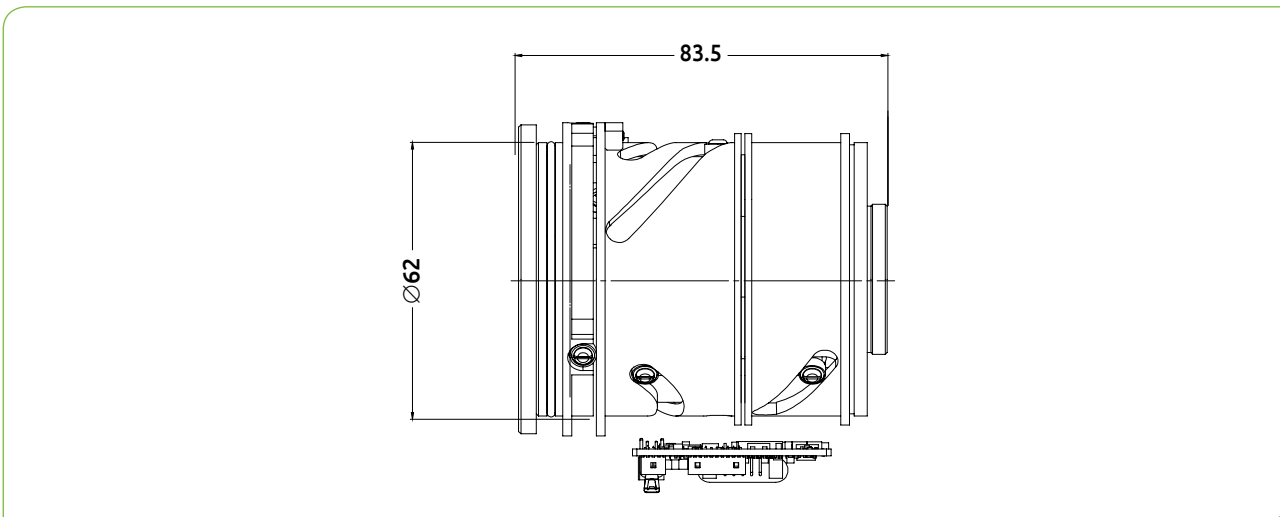
WFOV(15mm)

HFOV	320x240	640x480
25μ	31.5°	
17μ	21.1°	44.2°
12μ	14.8°	30.2°

NFOV(60mm)

HFOV	320x240	640x480
25μ	7.6°	
17μ	5.2°	10.4°
12μ	3.7°	7.3°

Property	Value	
Optical	WFOV	NFOV
Focal Length	15mm	60mm
F#	1.4	
Average transmission (8-12μm)	92% (HD) / 89% (LRHC)	
Back Focal Length	≥ 25mm in air	
Horizontal FOV	44.2°	10.4°
Minimum Focus Range	1m	2m
Nuc (by defocus)	Yes	
Mechanical		
Focus Mechanism	Motorized	
Focus Time (minimum range to ∞)	≤4 sec.	
Zoom Mechanism	Motorized	
Zoom Time (NFOV to WFOV)	≤4 sec.	
Weight	500gr	
Max. Dimensions	Ø62mm x 83.5mm	



LWIR | ZOOM

Property		Value				
Electrical						
Lens Control		Designated lens controller				
Supply Voltage		12V				
Current Consumption		0.2A average, 0.5A peak				
Communication Protocol		RS422				
Environmental						
Operation Temperature		-30°C to +70°C				
Storage Temperature		-45°C to +85°C				
Sealing		IP 67 front element only				
Configurations	Weight (gr)	Dimensions	BWD**	Interface	Coating	
680164-001					HD	
680164-002	500	Ø62mm x 83.5mm	9.7	M34x0.5	HC	
680164-003					HE	

* The ICD drawing provided here is primarily a representation and may not accurately reflect the product's actual dimensions and specifications. For precise integration specifications contact your local sales representative.

** The BWD value is calculated for a unique detector setup with varying sealing windows in terms of thickness and material. For more details, contact your local sales representative.