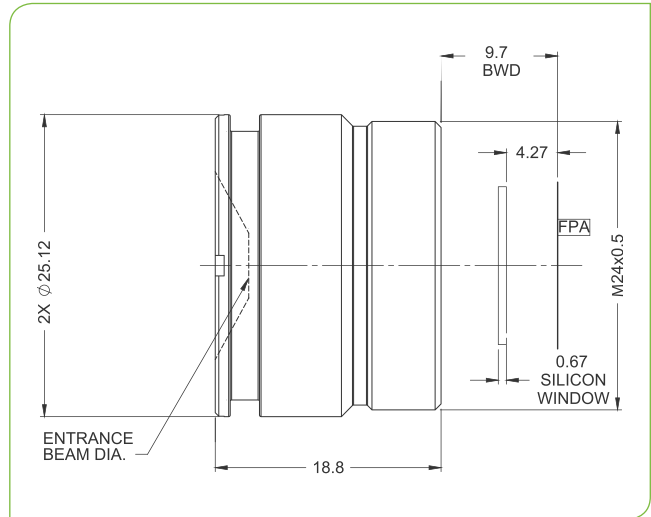


SupIR 7.5mm f/1.4, Fixed Athermalized 680143

TYPICAL ICD*



**HD
FORMAT**



LWIR | 1-FOV

	320x240	384x288	640x480
HFOV			
25μ	63.4°	77.7°	
17μ	42.1°	51.0°	90.2°
12μ	29.5°	35.5°	60.6°

Property	Value				
Optical					
Focal Length	7.5mm				
F#	1.4				
Average transmission (8-12μm)	83% (HC)				
Back Focal Length	11.97mm in air				
Mechanical					
Focus Mechanism	Fixed				
Depth of Field	2m to infinity				
Focus Range	0.2m to infinity				
Weight	see configurations table below				
Max. Dimensions	see configurations table below				
Environmental					
Operation Temperature	-40°C to +80°C				
Storage Temperature	-55°C to +85°C				
Sealing	IP 67 front element only				
Configurations	Weight (gr)	Dimensions	BWD**	Thread	Coating
680143-003	45	Ø34.9mm x 18.8mm		M34x0.5	
680143-006	21	Ø25.12mm x 18.8mm	9.7	M24x0.5; d = 6.16mm	HC
680143-007		Ø24.4mm x 18.8mm		M24x0.5; d = 3.3mm	
680143-008	50	Ø34.9mm x 22.1mm	6.64	M34x0.5	HC

* The ICD drawing provided here is primarily a representation and may not accurately reflect the product's actual dimensions and specifications. For precise integration specifications contact your local sales representative.

** The BWD value is calculated for a unique detector setup with varying sealing windows in terms of thickness and material. For more details, contact your local sales representative.