

SupIR 25-150mm f/1.4, Motorized Continuous Zoom 680119

HD
FORMAT



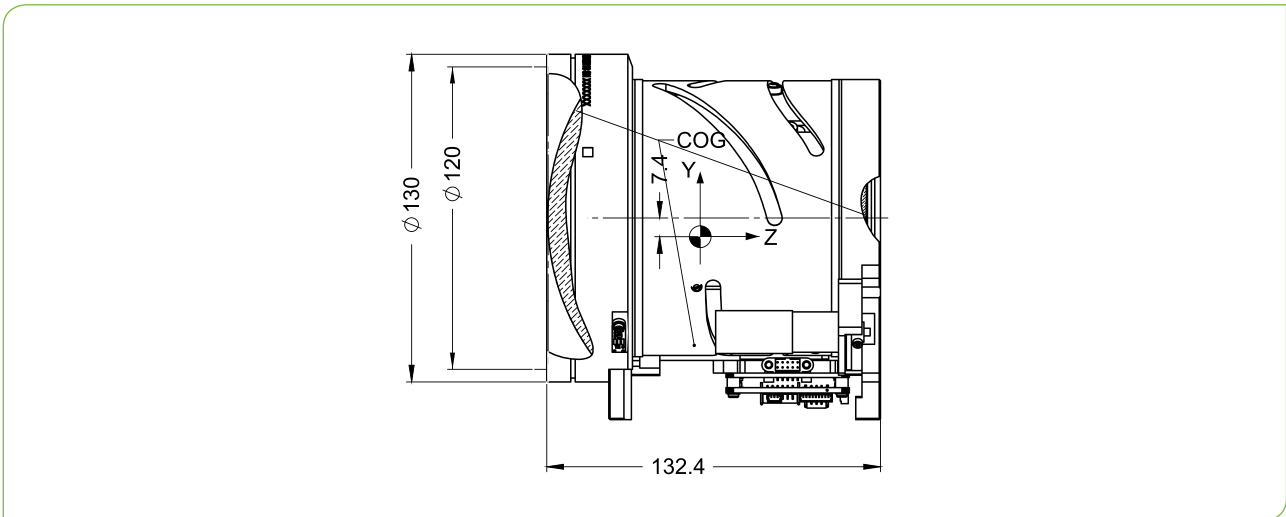
WFOV(25mm)

HFOV	320x240	640x480	1024x768	1280x1024
25μ	18.5°	37.9°		
17μ	12.5°	25.3°	41.5°	
12μ	9.4°	18.9°	28.7°	36.3°

NFOV(150mm)

HFOV	320x240	640x480	1024x768	1280x1024
25μ	3.0°	6.1°		
17μ	2.1°	4.1°	6.6°	
12μ	1.5°	2.9°	4.6°	5.8°

Property	Value	
Optical	WFOV	NFOV
Focal Length	25mm	150mm
F#	1.4	
Average transmission (8-12μm)	88% (HD) / 82% (HC)	
Back Focal Length	≥28mm in air	
Minimum Focus Range	1.2m	45m
Nuc (by defocus)	Yes	
Mechanical		
Focus Mechanism	Motorized	
Focus Time (minimum range to ∞)	≤8 sec.	
Zoom Mechanism	Motorized	
Zoom Time (NFOV to WFOV)	≤8 sec.	
Weight	1.9kg	
Max. Dimensions	Ø130mm x 132.4mm	



LWIR | ZOOM

Property		Value				
Electrical						
Lens Control		Designated lens controller				
Supply Voltage		12V				
Current Consumption		0.3A average, 0.8A peak				
Communication Protocol		RS422				
Environmental						
Operation Temperature		-32°C to +80°C				
Storage Temperature		-54°C to +85°C				
Sealing		IP 67 front element only				
Configurations	Weight (gr)	Dimensions	BWD**	Interface	Coating	
680119-003	1920	Ø130mm x 132.4mm	24.5	6x #2-56 UNC	HD	
680119-004					HC	

* The ICD drawing provided here is primarily a representation and may not accurately reflect the product's actual dimensions and specifications. For precise integration specifications contact your local sales representative.

** The BWD value is calculated for a unique detector setup with varying sealing windows in terms of thickness and material. For more details, contact your local sales representative.