

SupIR 45/135mm f/1.1, f/1.6, Motorized Focus 680020*

HD
FORMAT



WFOV(45mm)

HFOV	320x240	640x480	1024x768
25μ	10.4°		
17μ	7.0°	14.3°	
12μ	4.9°	9.9°	16.3°

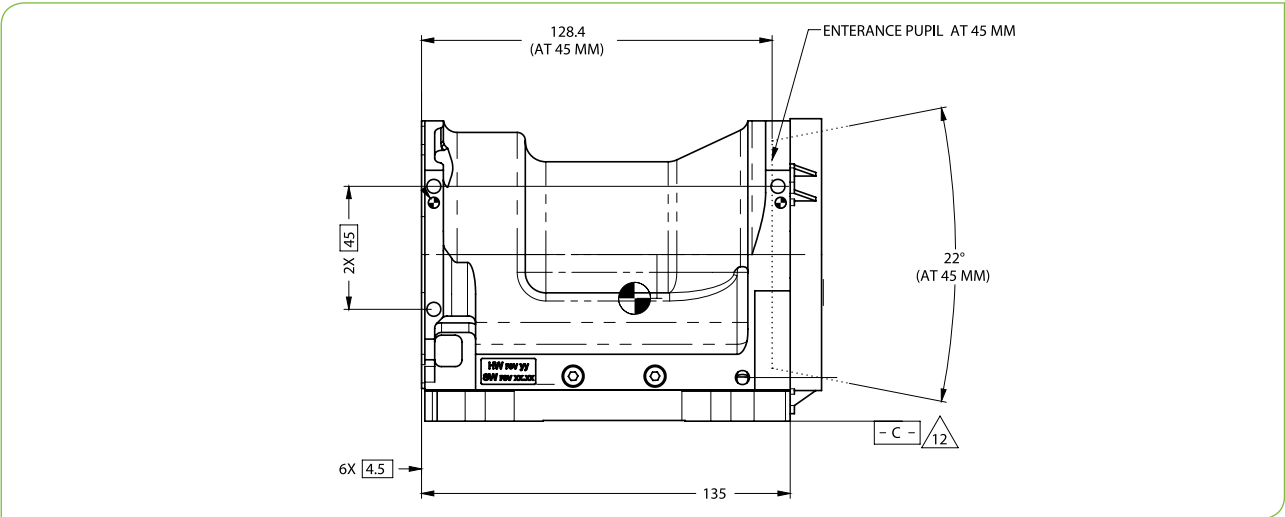
NFOV(135mm)

HFOV	320x240	640x480	1024x768
25μ	3.4°		
17μ	2.3°	4.6°	
12μ	1.6°	3.3°	5.2°

LWIR | Multiple FOV

Property	Value	
Optical	WFOV	NFOV
Focal Length	45mm	135mm
F/#	1.1	1.6
Average Transmission (8-12μm)	85% (HC)	
Back Focal Length	48.35mm in air	
Mechanical		
Focus Mechanism	Motorized adjustable	
Focus Range	10m to infinity	
Focus Time (full travel)	<1 sec.	
Weight	1.4kg	
Max. Dimensions	Length 142mm, Width 98mm, Height 110mm	
FOV Switch Mechanism	Motorized	
FOV Switch Time	<2 sec.	

* Requires export license



LWIR | Multiple FOV

Property	Value
Electrical	
Focus & FOV Motor	0.7A average, 1.0A peak at T=-40°C 0.6A average, 1.0A peak at T=20°C
Supply Voltage	12V
Current Consumption	0.7A average, 1.0A peak
Environmental	
Operating Temperature	-40°C to +65°C
Storage Temperature	-40°C to +71°C
Sealing	IP 67 front element only
Configurations	
680020-009	Hard Carbon, mounting plate
680020-010	Hard Carbon, W/O mounting plate
680020-011	Hard Carbon, EARS mounting plate