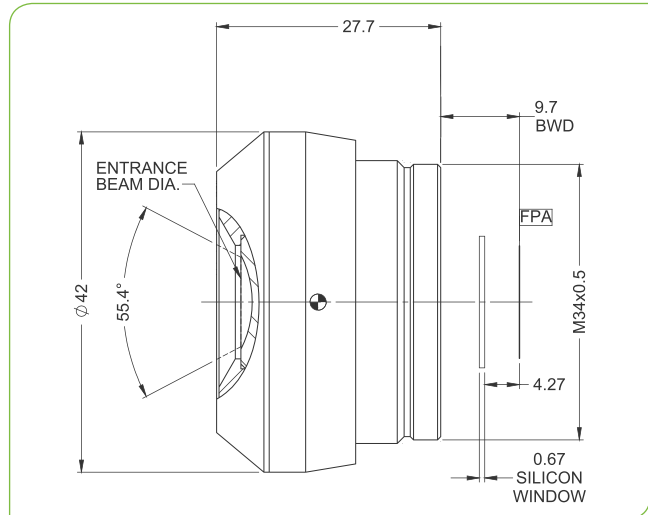


SupIR 14.25mm f/1.2, Fixed Athermalized 65183

TYPICAL ICD*



**HD
FORMAT**



HFOV	320x240	384x288	640x480	1024x768
17μ	21.9°	26.3°	44.0°	
12μ	15.4°	18.5°	30.9°	49.8°

LWIR | 1-FOV

Property	Value				
Optical					
Focal Length	14.25mm				
F#	1.2				
Average transmission (8-12μm)	96% (HE) / 94% (HD)				
Back Focal Length	15.35mm in air				
Mechanical					
Focus Mechanism	Fixed Focus				
Depth of Field	15m to infinity				
Focus Range	0.6m to infinity				
Weight	see configuration table below				
Max. Dimensions	see configuration table below				
Environmental					
Operation Temperature	-40°C to +80°C				
Storage Temperature	-40°C to +90°C				
Sealing	IP 67 front element only				
Configurations	Weight (gr)	Dimensions	BWD**	Thread	Coating
65183-04	49	Ø42mm x 32.3mm	6.84	M34x0.5	HD
65183-05	57	Ø41.5mm x 24.2mm	15.4	M41x0.75	
65183-06	49	Ø42mm x 32.3mm	6.84	M34x0.5	HC
65183-13	44.5	Ø42mm x 27.7mm	9.7	M34x0.5	HC
65183-15					HC, MWIR block filter

* The ICD drawing provided here is primarily a representation and may not accurately reflect the product's actual dimensions and specifications. For precise integration specifications contact your local sales representative.

** The BWD value is calculated for a unique detector setup with varying sealing windows in terms of thickness and material. For more details, contact your local sales representative.