

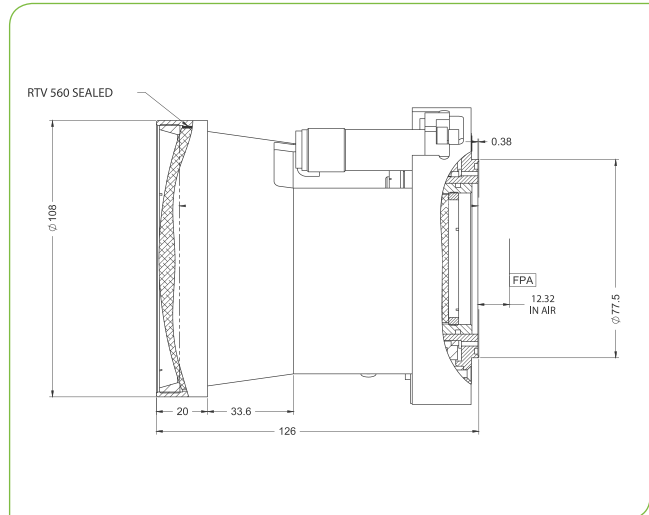
SupIR 100mm f/1.0, Motorized Focus 65095

TYPICAL ICD*

LWIR | 1-FOV



**HD
FORMAT**



HFOV	320x240	384x288	640x480	1024x768
25μ	4.6°	5.5°	9.1°	
17μ	3.1°	3.7°	6.2°	9.9°
12μ	2.2°	2.6°	4.4°	7.0°

Property	Value				
Optical					
Focal Length	100mm				
F#	1.0				
Average transmission (8-12μm)	87% (HC)				
Back Focal Length	23.96mm in air				
Mechanical					
Focus Mechanism	Motorized				
Depth of Field	800m to infinity				
Focus Range	15m to infinity				
Weight	1.1kg				
Max. Dimensions	Ø108mm x 126mm				
Electrical					
Drive Voltage	6VDC				
Current Consumption	0.3A average, 0.5A peak				
Environmental					
Operation Temperature	-30°C to +65°C				
Storage Temperature	-40°C to +70°C				
Sealing	IP67 front element only				
Configurations	Weight (gr)	Dimensions	BWD**	Thread	Coating
65095-01	1100	Ø108mm x 126mm	12.32	12x #2-56 UNC	HC w/o encoder
65095-04					HC with encoder

* The ICD drawing provided here is primarily a representation and may not accurately reflect the product's actual dimensions and specifications. For precise integration specifications contact your local sales representative.

** The BWD value is calculated for a unique detector setup with varying sealing windows in terms of thickness and material. For more details, contact your local sales representative.