

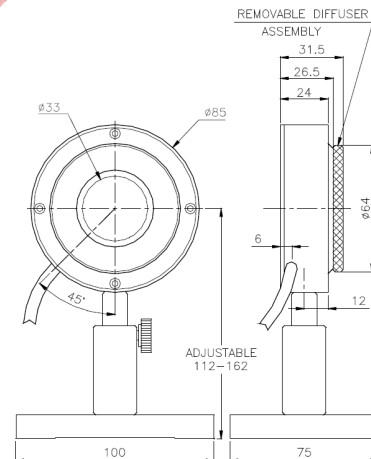
PE50BB-DIF

Pulse Energy Measurements 100µJ to 40J, up to 40Hz

Recommended Use: High energy YAG lasers, general

Special Features: Removable diffuser for high damage threshold

Specifications	Diffuser out	Diffuser in
Aperture:	φ46mm	φ33mm
Spectral Response:	0.19 – 20µm	0.4 – 2.5µm
Surface Reflectivity:	5%	15%
Calibration Accuracy:	± 3%	± 3%
Additional Error with Wavelength:		
193nm	±2%	N.A.
248nm	±2%	N.A.
400-800nm	±2%	See note a
1064nm	0	0
1.5-2.5µm	±2%	See note b
2.1µm	±2%	0
2.94µm	±2%	N.A.
10.6µm	±5%	N.A.
Damage Threshold:		
<100ns	0.3J/cm ²	3J/cm ²
1µs	0.3J/cm ²	3J/cm ²
300µs	1J/cm ²	10J/cm ²
Linearity:	±2% for >10% of full scale	±2% for >10% of full scale
Maximum Average Power:	15W	40W
Max Ave Power Density:	10W/cm ²	500W/cm ²
Max Pulse Width Setting:	Short Long	Short Long
Maximum Pulse Width:	3ms 10ms	3ms 10ms
Maximum Pulse Rate:	40Hz 10Hz	40Hz 10Hz
Energy Scales:	10J to 2mJ 10J to 20mJ	40J to 8mJ 40J to 80mJ
Lowest Measurable Energy:	100µJ 1mJ	500µJ 5mJ
Noise on Lowest Range:	15µJ 40µJ	80µJ 200µJ
Additional Error with Frequency:	±2%	±2%
Cooling	Convection	
Notes:	a: Calibrated for 532nm b: With diffuser installed, head is not calibrated at these wavelengths but provision is made for user calibration	



Ordering information		
Item	Description	Ophir P/N
PE50BB-DIF-V2	33/46mm aperture pyroelectric energy meter with broadband absorber and removable diffuser	1Z02866 / 7Z02866 (RoHS)

Rev11/spc/02.03.10/eq

Visit our website: WWW.OPHIROPT.COM