

PE50-U

Pulse Energy Measurements 25µJ to 10J, up to 4000Hz

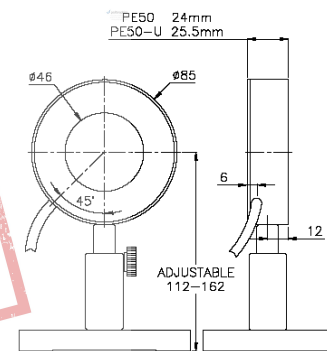
Recommended Use: General use for large aperture pulsed lasers to 10ms and 4000Hz

Special Features: High repetition rate, higher damage threshold

Specifications	PE50-U
Spectral Response:	Integral diffuser 0.19 - 2µm
Surface Reflectivity:	25% approx.
Max Pulse Width Setting:	Short Long
Maximum Pulse Width:	30µs 1ms
Maximum Pulse Rate:	3000Hz 250Hz
Energy Scales:	10J to 200µJ 10J to 2mJ
Lowest Measurable Energy:	50µJ 100µJ
Noise on Lowest Range:	4µJ 10µJ
Additional Error with Frequency:	±2% ±2%
Calibration Accuracy:	±3%
Additional Error with Wavelength:	
157nm	N.A.
193nm	0
248nm	0
355nm	±2%
300-800nm	±2%
1064nm	0
1.5-2µm	±3%
2.94µm	N.A.
10.6µm	N.A.
Damage Threshold:	
<100ns	0.15J/cm ²
1µs	0.3J/cm ²
300µs	3J/cm ²
2ms	10J/cm ²
Linearity:	±2% for >10% of full scale
Maximum Average Power:	20W
Maximum Average Power Density:	20W/cm ²
Aperture:	φ46mm
Cooling:	Convection



PE50-U



PE50-U

END OF LIFE

Ordering information		
Item	Description	Ophir P/N
PE50-U	46mm aperture pyroelectric energy meter with integral diffuser	7Z02884 (RoHS)

Rev14/spc/14.12.08/eg

Visit our website:

WWW.OPHIROPT.COM

