

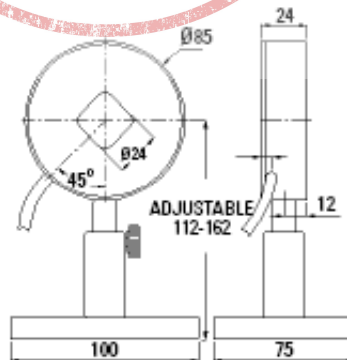
PE25BB

Pulse Energy Measurements 100µJ-10J, up to 40Hz

Recommended Use: General use for medium aperture pulsed lasers to 10ms and 40Hz

Special Features: Spectrally flat, high damage threshold

| Specifications | PE25BB |
|-----------------------------------|-----------------------------|
| Spectral Response: | Black absorber 0.15-20µm |
| Surface Reflectivity: | 5% approx. |
| Max Pulse Width Setting: | Short Long |
| Maximum Pulse Width: | 3ms 10ms |
| Maximum Pulse Rate: | 40Hz 12Hz |
| Energy Scales: | 10J to 2mJ 10J to 20mJ |
| Lowest Measurable Energy: | 100µJ 1mJ |
| Noise on Lowest Range: | 20µJ 100µJ |
| Additional Error with Frequency: | ±2% ±2% |
| Calibration Accuracy: | ±3% |
| Additional Error with Wavelength: | |
| 157nm | N.A. |
| 193nm | ±2% |
| 248nm | ±2% |
| 355nm | ±2% |
| 300-800nm | ±2% |
| 1064µm | 0 |
| 1.5-2µm | ±2% |
| 2.94µm | ±2% |
| 10.6µm | ±5% |
| Damage Threshold: | |
| <100ns | 0.3J/cm ² |
| 1µs | 0.3J/cm ² |
| 300µs | 1J/cm ² |
| 2ms | 2J/cm ² |
| Linearity: | ±2% for >10% of full scale |
| Aperture: | 24 x 24mm |
| Maximum Average Power: | 10W |
| Maximum Average Power Density: | 10W/cm ² |
| Cooling: | Convection |
| Notes: a. ±3% for long pulses | |



| Ordering Information | | |
|----------------------|--|--------------------------|
| Item | Description | Ophir P/N |
| PE25BB-V2 | 24x24mm aperture pyroelectric energy meter with broadband absorber | 1Z02865 / 7Z02865 (RoHS) |

Rev13/spc/03.03.10/eg

Visit our website: WWW.OPHIROPT.COM

