

L50(150)A-LP1-35 PN 7Z02726S

100mW to 150W

Features

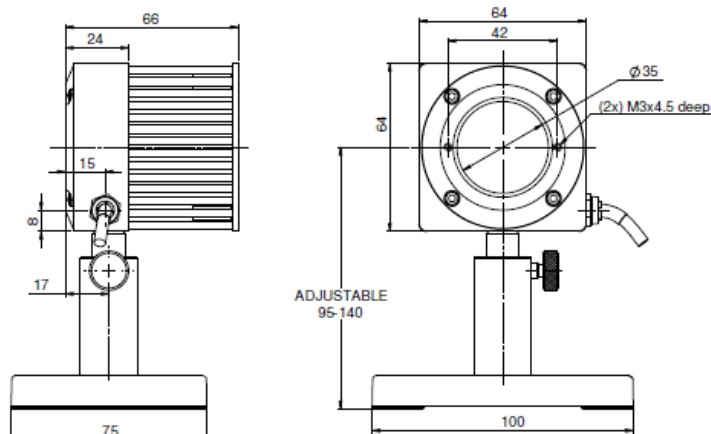
- Convection air cooled
- CW to 50W, intermittent to 150W
- Ø35mm aperture

L50(150)A-LP1-35



Model	L50(150)A-LP1-35
Use	High power density and long pulse lasers
Absorber Type	LP1
Spectral Range μm	0.25 – 2.2
Aperture mm	Ø35mm
Power Mode	
Power Range	100mW - 150W
Maximum Intermittent Power W	150W for 1.5min, 100W for 2.2min, 50W continuous
Power Scales	150W / 50W / 5W
Power Noise Level	4mW
Maximum Average Power Density kW/cm^2	38 at 150W 75 at 50W
Response Time with Meter (0-95%) typ. s	2
Power Accuracy +/-%	3 ^(a)
Linearity with Power +/-%	1
Energy Mode	
Energy Range	40mJ - 300J
Energy Scales	300J / 30J / 3J
Minimum Energy mJ	40
Maximum Energy Density J/cm^2	
<100ns	0.05
0.5ms	20
2ms	50
10ms	250
Cooling	convection / ballistic
Fiber Adapters Available (see page 83)	ST, FC, SMA, SC
Weight kg	0.35
Version	
Part number	7Z02726S
Notes: (a)	(a) LP1 sensors have relatively large spectral variation in absorption and have a calibrated spectral curve at all wavelengths in their spectral range to the above specified accuracy. Nova, Orion and LaserStar meters do not support this feature and when used with those meters, accuracy will be $\pm 3\%$ for 532nm, 808nm, 1064nm and 2100nm and $\pm 6\%$ for other wavelengths in the spectral range 400 – 1100nm.

L50(150)A-LP1-35



Rev15/spc/25.06.18/eg