

## 1.1.2.8 IPM Industrial High Power Sensor

### 1.1.2.8.3 IPM-COM – IPM adapter for industrial protocols

Modern automation systems integrate equipment from multiple vendors into a common Ethernet infrastructure. The IPM-COM is an industrial communication module enabling the integration of the IPM industrial sensor into Profinet or EtherNet/IP automation systems. For additional protocols please approach your local Ophir sales representative.

#### Features

- Connects to the IPM sensor to provide industrial communication protocols
- Supports communication and power daisy chaining
- Supports Profinet, EtherNet/IP
- Industrial ruggedized housing and connectors
- Two connector options: M12 & Mini 7/8", or AIDA

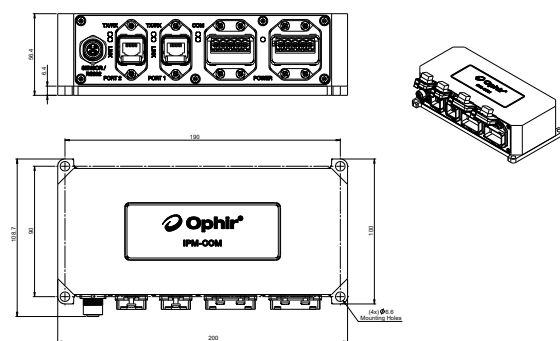


Model	IPM-COM				
Use	Support industrial communication protocols for IPM sensor				
Connectors	2x Industrial Ethernet connectors, 2x 24V power connectors, 1x M12 interconnection with the IPM sensor				
Cables	Cable to IPM sensor, M12 male to M12 female, 5-pin, 1.5m (P/N 7E01540, supplied)				
Weight kg	2				
Part Numbers	<b>Name</b>	<b>Protocol <sup>(a)</sup></b>	<b>Data Connector <sup>(b)</sup></b>	<b>Power Connector</b>	<b>P/N</b>
Related Products	IPM-COM-Profinet	Profinet	AIDA RJ45	AIDA Power	7Z08404
	IPM-COM-EtherNet/IP-M	EtherNet/IP	M12	Mini 7/8"	7Z08405
	<b>Name</b>				<b>P/N</b>
Optional Accessories	IPM-10KW sensor				7Z07106
	Combined protective shutter and scatter shield IPM-SHUTTER10				7Z08409
	IPM-SHUTTER10 window replacement kit				7Z08411
	<b>Name</b>				<b>P/N</b>
	Power Cable, Mini 7/8" female, 4-pin, to flying leads, 2m (not supplied)				7E01535
Power Cable, AIDA female, 4-pin, to flying leads, 5m (not supplied)				7Z10458A	
Profinet Cable, RJ45 AIDA to RJ45, 5m (not supplied)				7E01298	
EtherNet/IP Cable, M12-D to RJ45, 3m (not supplied)				7E11211	

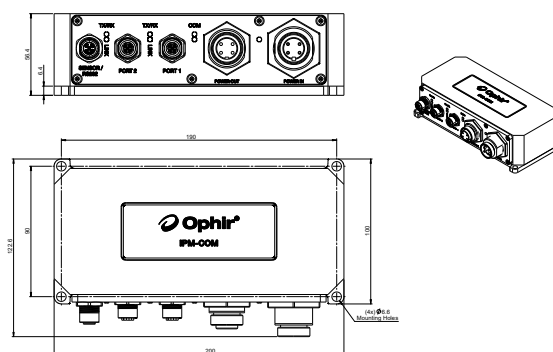
Notes: (a) Other protocols (EtherCAT, CC-link) can be supported, contact Ophir for more information

Notes: (b) Other combinations of protocol and connector types are possible, contact Ophir for more information

#### IPM-COM-Profinet (AIDA)



#### IPM-COM-EtherNet/IP-M (M12, Mini 7/8")



### 1.1.2.8.4 Full IPM System Setup

