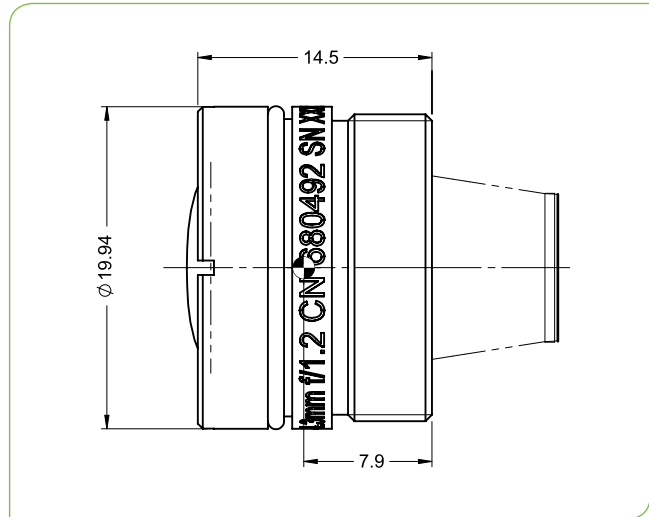


SupIR 4.3mm f/1.2, Fixed Athermalized 680492

TYPICAL ICD*

NEW



HFOV	320x240	384x288	640x512	672x544
17μ	75°	92°		
12μ	51.8°	62.8°	111.9°	
10μ	42.9°	51.8°	90°	95.2°

Property	Value				
Optical					
Focal Length	4.3mm				
F#	1.2				
Average transmission (8-12μm)	83% (HC)				
Back Focal Length	7.74mm in air				
Mechanical					
Focus Mechanism	Fixed				
Depth of Field	1m to infinity				
Focus Range	0.5m to infinity				
Weight	12.5gr				
Max. Dimensions	Ø19.94mm x 14.5mm				
Environmental					
Operation Temperature	-40°C to +80°C				
Storage Temperature	-55°C to +85°C				
Sealing	IP 67 front element only				
Configurations	Weight (gr)	Dimensions	BWD**	Thread	Coating
680492-001					HC, MWIR block filter
680492-002	12.5	Ø19.94mm x 14.5mm	7.8	M19x0.5	HC
680492-003					HD

* The ICD drawing provided here is primarily a representation and may not accurately reflect the product's actual dimensions and specifications. For precise integration specifications contact your local sales representative.

** The BWD value is calculated for a unique detector setup with varying sealing windows in terms of thickness and material. For more details, contact your local sales representative.