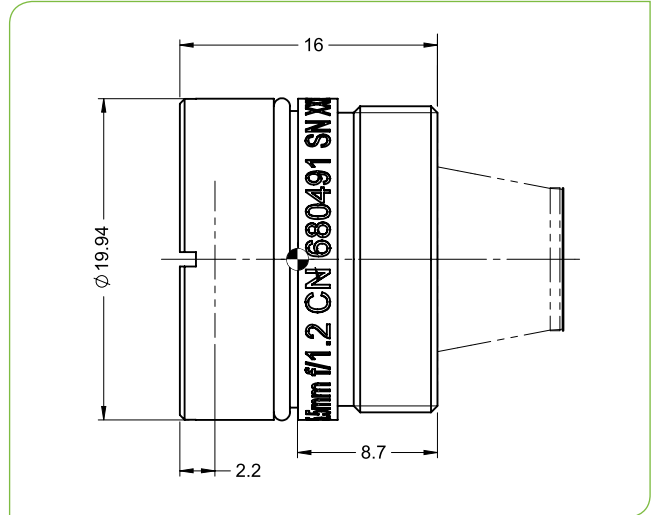


# SupIR 5.5mm f/1.2, Fixed Athermalized 680491

TYPICAL ICD\*

NEW



| HFOV | 320x240 | 384x288 | 640x512 | 672x544 |
|------|---------|---------|---------|---------|
| 17μ  | 58.7°   | 71.5°   |         |         |
| 12μ  | 40.7°   | 49.2°   | 86.1°   |         |
| 10μ  | 33.7°   | 40.7°   | 70°     | 73.9°   |

| Property                      | Value                    |                   |              |               |                       |
|-------------------------------|--------------------------|-------------------|--------------|---------------|-----------------------|
| <b>Optical</b>                |                          |                   |              |               |                       |
| Focal Length                  | 5.5mm                    |                   |              |               |                       |
| F#                            | 1.2                      |                   |              |               |                       |
| Average transmission (8-12μm) | 83% (HC)                 |                   |              |               |                       |
| Back Focal Length             | 8.73mm in air            |                   |              |               |                       |
| <b>Mechanical</b>             |                          |                   |              |               |                       |
| Focus Mechanism               | Fixed                    |                   |              |               |                       |
| Depth of Field                | 1m to infinity           |                   |              |               |                       |
| Focus Range                   | 0.7m to infinity         |                   |              |               |                       |
| Weight                        | 12.4gr                   |                   |              |               |                       |
| Max. Dimensions               | Ø19.94mm x 16mm          |                   |              |               |                       |
| <b>Environmental</b>          |                          |                   |              |               |                       |
| Operation Temperature         | -40°C to +80°C           |                   |              |               |                       |
| Storage Temperature           | -55°C to +85°C           |                   |              |               |                       |
| Sealing                       | IP 67 front element only |                   |              |               |                       |
| <b>Configurations</b>         | <b>Weight (gr)</b>       | <b>Dimensions</b> | <b>BWD**</b> | <b>Thread</b> | <b>Coating</b>        |
| 680491-001                    |                          |                   |              |               | HC, MWIR block filter |
| 680491-002                    | 12.4                     | Ø19.94mm x 16mm   | 7.8          | M19x0.5       | HC                    |
| 680491-003                    |                          |                   |              |               | HD                    |

\* The ICD drawing provided here is primarily a representation and may not accurately reflect the product's actual dimensions and specifications. For precise integration specifications contact your local sales representative.

\*\* The BWD value is calculated for a unique detector setup with varying sealing windows in terms of thickness and material. For more details, contact your local sales representative.