

SupIR 60-1200mm f/4 Motorized Continuous Zoom 680475 / 680476

NEW

HD
FORMAT



WFOV (60mm)

| HFOV | 640x512 |
|------|---------|
| 15μ | 8.6° |
| 10μ | - |

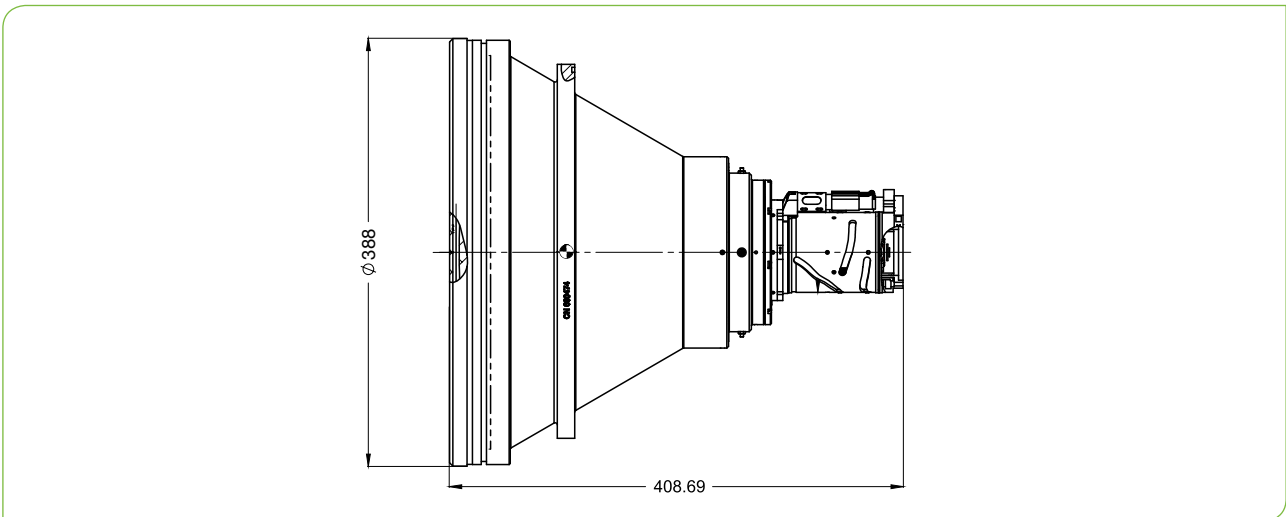
WFOV (100mm)

| HFOV | 640x512 | 1280x1024 |
|------|---------|-----------|
| 15μ | 5.3° | |
| 10μ | - | 6.8° |

NFOV (1200mm)

| HFOV | 640x512 | 1280x1024 |
|------|---------|-----------|
| 15μ | 0.5° | |
| 10μ | - | 0.6° |

| Property | Value | |
|----------------------------------|---|-------|
| | WFOV | NFOV |
| Optical | | |
| Focal Length | 60 | 1200 |
| F# | 4 | |
| Average transmission (3.4-5.0μm) | ≥ 70% (LRHC) | |
| Cold stop to FPA Distance | 19.4mm (680475) / 20.5mm (680476) | |
| Cold Stop CA | 4.85mm (680475) / 5.125mm (680476) | |
| Back Focal Length | 23.3mm in air (680475) / 26.2mm in air (680476) | |
| Minimum Focusing Range | <5m | <200m |
| Nuc (by defocus) | Yes | |
| Mechanical | | |
| Focus Mechanism | Motorized | |
| Focus Time (minimum range to ∞) | ≤1 sec. | |
| Zoom mechanism | Motorized | |
| Zoom Time (NFOV to WFOV) | ≤ 8 sec at -32°C; ≤ 5 sec. at T≥20°C (at max. speed) | |
| Max. Dimensions | Ø388mm x 409.2mm | |
| Weight | 14.6kg | |
| Electrical | | |
| Lens Control | Designated lens controller | |
| Drive Voltage | 12V | |
| Current Consumption | 0.5A average, 1.0A peak at T= -32°C; 0.2A average, 1.0A peak at T ≥ 20°C | |



MWIR | ZOOM

| Property | | Value | | | |
|------------------------|-------------|-------------------------|-------------|--------|------------------------------|
| Electrical | | | | | |
| Communication Protocol | | RS422 | | | |
| Environmental | | | | | |
| Operation Temperature | | -32°C to +75°C | | | |
| Storage Temperature | | -54°C to +85°C | | | |
| Sealing | | IP67 front element only | | | |
| Configurations | Description | FPA | Pixel Pitch | CSH | Coating |
| 680475-001 | 60-1200mm | 640x512 | 15µ | 19.4mm | High Durability |
| 680475-002 | | | | | Low Reflection Hard Carbon** |
| 680475-003 | 100-1200mm | 1280x1024 | 10µ | | High Durability |
| 680475-004 | | | | | Low Reflection Hard Carbon** |
| 680475-005 | | | | | Hard Carbon Hydrophobic |
| 680475-006 | | | | | High Durability Hydrophobic |
| 680476-001 | 60-1200mm | 640x512 | 15µ | 20.5mm | High Durability |
| 680476-002 | | | | | Low Reflection Hard Carbon** |
| 680476-003 | 100-1200mm | 1280x1024 | 10µ | | High Durability |
| 680476-004 | | | | | Low Reflection Hard Carbon** |
| 680476-005 | | | | | Hard Carbon Hydrophobic |
| 680476-006 | | | | | High Durability Hydrophobic |

* NOTE: The ICD drawing provided here is primarily a representation and may not accurately reflect the product's actual dimensions and specifications. For precise integration specifications contact your local sales representative.

** For detailed LRHC coating specifications see page 13