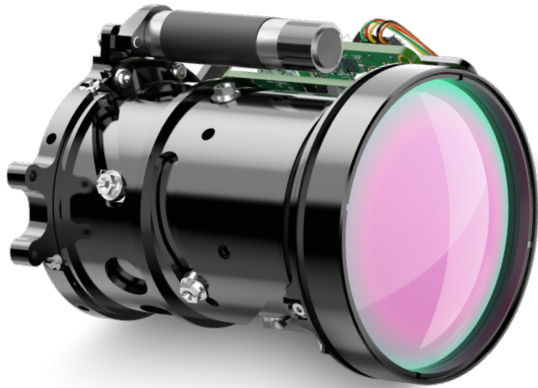


SupIR 18-225mm f/4 Motorized Continuous Zoom 680473

NEW

HD
FORMAT



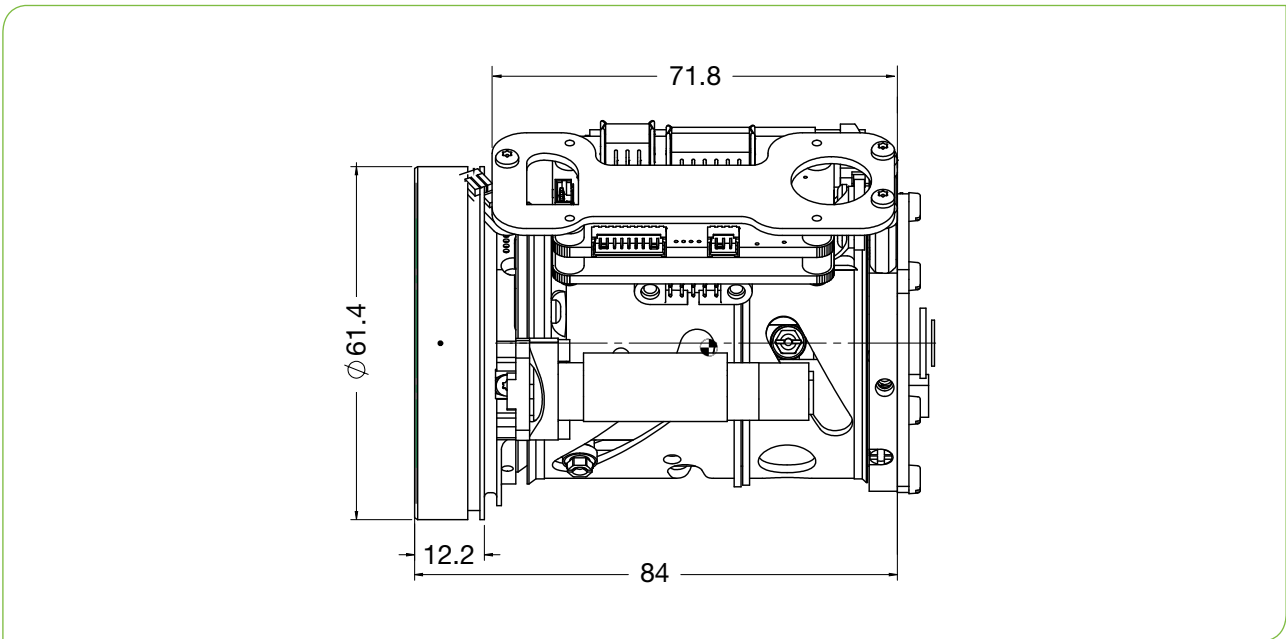
WFOV (18mm)

HFOV	640x512	1280x1024
15μ	29.9°	
10μ	20.2°	39.1°

NFOV (225mm)

HFOV	640x512	1280x1024
15μ	2.4°	
10μ	1.6°	3.3°

Property	Value	
Optical	WFOV	NFOV
Focal Length	18	225
Average transmission (3.4-4.9μm)	≥80% (HCLR) / ≥87% (HD)	
Cold stop to FPA Distance	19.4-20.5mm	
Cold Stop CA	Ø4.88mm (for 19.2-20.5mm CSH)	
Back Focal Length	26.9mm in air (with 1+0.5mm Ge windows)	
Minimum Focusing Range	5m	50m
Nuc (by defocus)	Yes	
Mechanical		
Focus Mechanism	Motorized. Adjustable	
Focus Time (minimum range to ∞)	<2 sec.	
Zoom Time (NFOV to WFOV)	<5 sec.	
Max. Dimensions	Ø61.4 x 84mm	
Weight	326gr	



MWIR | ZOOM

Property	Value
Electrical	
Lens Control	Designated lens controller
Supply Voltage	12V
Current Consumption	< 0.5A average, 1.0A peak
Communication Protocol	RS422
Environmental	
Operation Temperature	-32°C to +75°C
Storage Temperature	-54°C to +85°C
Sealing	IP67 front element only
Configurations	
680473-001	High Durability
680473-002	Hard Carbon Low Reflection**

* NOTE: The ICD drawing provided here is primarily a representation and may not accurately reflect the product's actual dimensions and specifications. For precise integration specifications contact your local sales representative.

** For detailed LRHC coating specifications see page 13