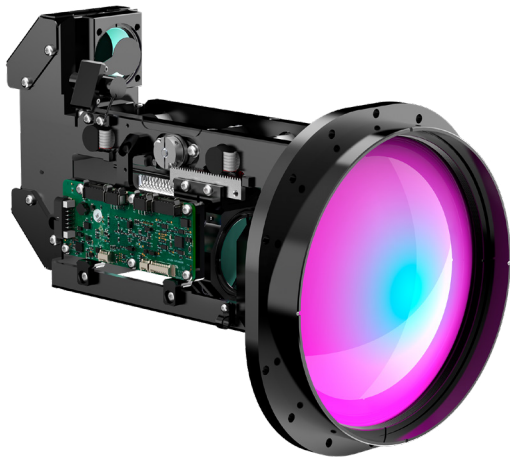


FoldIR 30-450mm f/3.4* , Motorized Continuous Zoom 680465

NEW

HD
FORMAT



WFOV (30mm)

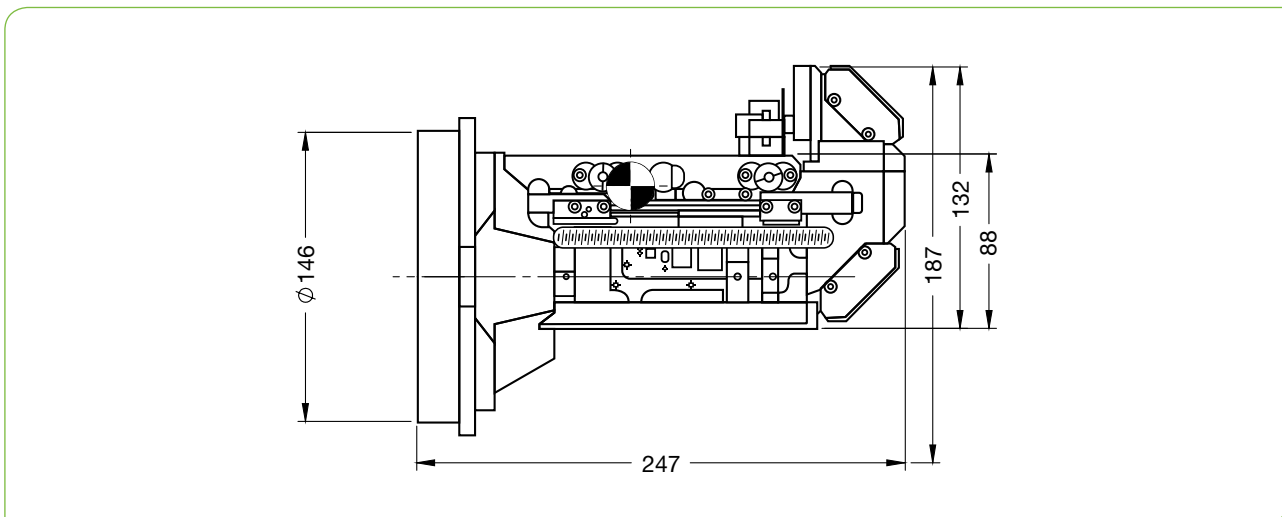
HFOV	640x480	1280x1024
15μ	19.3°	
10μ	12.5°	26.9°

NFOV (450mm)

HFOV	640x480	1280x1024
15μ	1.3°	
10μ	0.8°	1.7°

Property	Value	
Optical	WFOV	NFOV
Focal Length	30mm	450mm
F#	3.4	
Average transmission (3.4-4.2μm)	80% (HC)	
Cold stop to FPA Distance	19.4mm	
Cold Stop CA	Ø5.7mm	
Minimum Focusing Range	20m	50m
Nuc	By integrated shutter or defocus	
Mechanical		
Focus Mechanism	Motorized	
Focus Time (minimum range to ∞)	<1sec.	
Zoom Time (NFOV to WFOV)	<5sec.	
Max. Dimensions	Ø146mm x 247mm	
Weight	2kg	

* Requires export license



MWIR | ZOOM

Property	Value
Electrical	
Lens Control	Designated lens controller
Supply Voltage	12V
Current Consumption	0.5A average, 1.0A peak
Communication Protocol	RS422, RS232
Environmental	
Operation Temperature	-20°C to +55°C
Storage Temperature	-40°C to +70°C
Sealing	IP67 front element only
Configurations	
680465-001	High Durability
680465-002	Hard Carbon

* NOTE: The ICD drawing provided here is primarily a representation and may not accurately reflect the product's actual dimensions and specifications. For precise integration specifications contact your local sales representative.