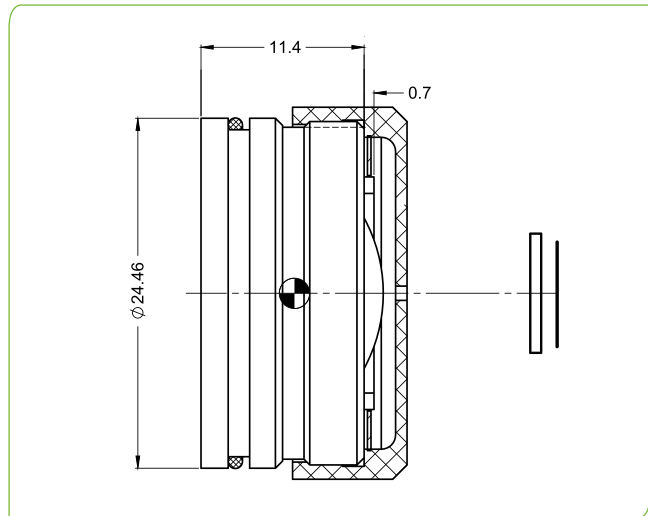


SupIR 9.3mm f/1.3, Fixed Athermalized 680269

TYPICAL ICD*



HFOV	320x240	384x288	640x480
17μ	34.0°		
12μ	24.0°	28.7°	48.1°
10μ		24.0°	40.0°

Property	Value				
Optical					
Focal Length	9.3mm				
F#	1.3				
Average transmission (8-12μm)	88%				
Back Focal Length	11.6mm in air				
Mechanical					
Focus Mechanism	Fixed				
Depth of Field	5m to infinity				
Focus Range	0.5m to infinity				
Weight	16.6gr				
Max. Dimensions	Ø24.46mm x 12.1mm				
Environmental					
Operation Temperature	-40°C to +80°C				
Storage Temperature	-40°C to +85°C				
Sealing	IP 67 front element only				
Configurations	Weight (gr)	Dimensions	BWD**	Thread	Coating
680269-001					HD
680269-002	16.6	Ø24.46mm x 12.1mm	13.387	M24x0.5	HC
680269-003					HC, MWIR block filter

* The ICD drawing provided here is primarily a representation and may not accurately reflect the product's actual dimensions and specifications. For precise integration specifications contact your local sales representative.

** The BWD value is calculated for a unique detector setup with varying sealing windows in terms of thickness and material. For more details, contact your local sales representative.