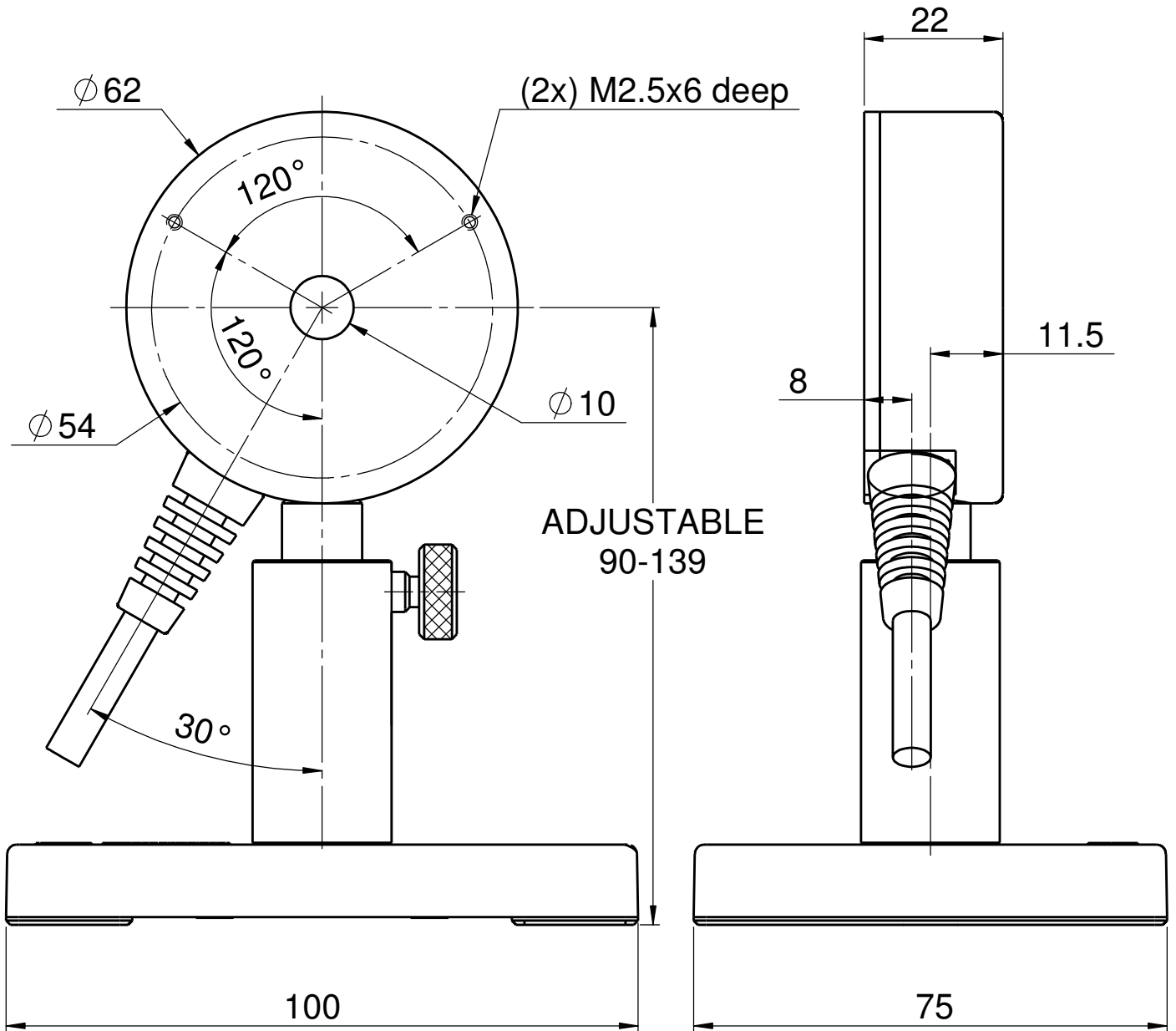



PD10-C / PD10-PJ-C



 <small>A Newport Corporation Brand</small>	REV. 2	NAME	SIGN.	DATE
	DRAWN	U.P.		12.12
	APPR.	A.R.		