

3.3.4.3 900-1700nm Cameras

3.3.4.3.1 GigE / USB InGaAs NIR Cameras

SP1203 high resolution, SP1201 low resolution and XC-130

Features

- NIR performance
- Resolution:
 - VGA: SP1203
 - QVGA: SP1201, XC-130
- Exclusive Ultracal for ISO conforming accuracy
- Available with BeamGage software

SP1203/SP1201



XC-130

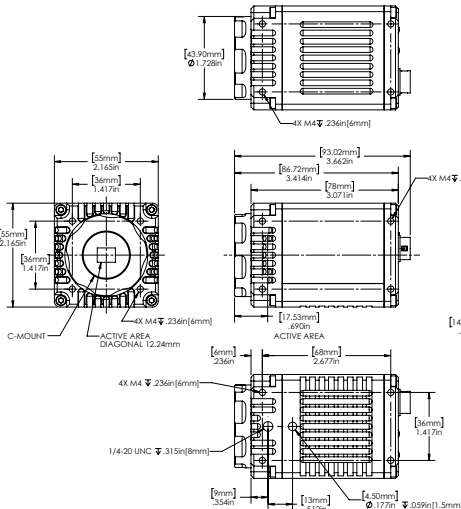


Model	SP1203	SP1201	XC-130
Application	NIR wavelengths, high resolution, ROI and binning	NIR wavelengths, ROI and binning	NIR wavelengths, ROI and binning
Wavelengths	900-1700nm	900-1700nm	900-1700nm
Active area	9,6 x 7,6mm	9,6 x 7,6mm	9,6 x 7,6mm
Pixel spacing	15µm square	30µm square	30µm square
Beam sizes	150µm-7.4mm	300µm-7.4mm	300µm-7.4mm
Number of effective pixels	640 x 512 (VGA)	320 x 256 (QVGA)	320 x 256 (QVGA)
CCD recess	C-mount, (Optional)	C-mount, (Optional)	C-mount, (Optional)
Dynamic range	68dB	59dB	low gain 68dB, high gain 60dB
Saturation Intensity ⁽¹⁾	12.6 µW/cm ² @ 1064nm 8.9 µW/cm ² @ 1550nm	0.4 µW/cm ² @ 1064nm 0.2 µW/cm ² @ 1550nm	1.3 µW/cm ² @ 1550 nm
Frame rate ⁽²⁾	60 Hz	60 Hz	100 Hz ⁽³⁾
Non-uniformity correction (NUC)	Automatic NUC table selection	Automatic NUC table selection	2-Point correction plus bad pixel correction, NUC files provided
Snap-shot mode	Via external TTL trigger, cable provided	Via external TTL trigger, cable provided	Via external TTL trigger, cable provided
Compatible light sources	CW, Pulsed	CW, Pulsed	CW, Pulsed
Trigger	Supports both Trigger and strobe out	Supports both Trigger and strobe out	Supports both Trigger and strobe out
Photodiode trigger	InGaAs response: SP90409	InGaAs response: SP90409	InGaAs response: SP90409
Exposure control	10µs-50ms	150µs-10ms	1µs to 400 sec in Low Gain mode
Imager Cooling	Integrated Thermo-Electric Sensor Cooling (TEC)	Integrated Thermo-Electric Sensor Cooling (TEC)	Thermoelectric cooler plus forced convection
Ambient operating temperature	-20° to 55° C	-20° to 55° C	0 - 50° C
Dimensions	55mm x 55mm x 78mm	55mm x 55mm x 78mm	111mm x 87mm x 107mm
Weight	370 g (0.8 lbs)	370 g (0.8 lbs)	approx. 1.8 kg
PC interface	GigE (POE)	GigE (POE)	USB 2.0, special cable provided
Compliance	CE, UKCA, China RoHS		
Ordering Information			
Supported software	Item	P/N	Item
BeamGage Professional	BGP-GigE-SP1203	SP90524	BGP-GigE-SP1201
	SP1203 Kit ⁽⁴⁾	SP90536	SP1201 Kit ⁽⁴⁾
			SP90535
BeamGage Professional (for USA only)	BGP-GigE-SP1203	SP90548	BGP-GigE-SP1201
			SP90547
	BGP-USB-XC130		SP90241 ⁽⁵⁾

Notes:

- (1) Camera set to full resolution and 10 ms exposure time, CW source.
- (2) Highly dependent on PC processor and graphics adapter performance.
- (3) The uncorrected rate, final corrected rate will be less.
- (4) Contains USB 3.0 cable to Gigabit Ethernet Adaptor, CAT6 Ethernet Cable, Power with Trigger cable and 3 ND filters.
- (5) Comes with USB A to micro B cable, Trigger cable and 3 ND filters.

SP1203/SP1201



XC-130

