

## 1.1.2.9 Accessories for High Power Water Cooled Sensors

### 1.1.2.9.5 Metric Water Connectors for Water Cooled Sensors

The standard water connection supplied with Ophir water cooled sensors are quick connect fittings for 3/8" and 1/2" plastic tubing. Metric water connectors are also available as follows:

7Z08352 1/4" - 12mm



7Z08353 1/8" - 10mm



Connector (set of 2 ea.)	For use with	Part Number
1/4" NPT to 12mm O.D. tubing	30K-W	7Z08352
1/8" NPT to 10mm O.D. tubing	All other water cooled sensors	7Z08353

### 1.1.2.9.6 Protective Covers with Target Pattern for High Power Sensors and for Scatter Shields

All the protective covers are made of black anodized aluminum, and have a cross pattern for alignment.

**Sensors:** The 5000W, 10K-W, 15K-W sensors are supplied with the 10K-W Protective Cover. This protective cover also fits the 1000W and L1500W sensors, but is not supplied with these sensors. The protective cover can be ordered separately for these sensors. The 30K-W sensor is supplied with the 30K-W Protective Cover.

**Scatter Shields:** 10K-W / 15K-W Scatter Shield (P/N 7Z08295) and 30K-W Scatter Shield (P/N 7Z08293) are supplied with their respective protective covers (P/N 7Z08345 for 10K-W / 15K-W and P/N 7Z08346 for 30K-W). For more information on scatter shields see page 78.

All protective covers can also be ordered separately (see table below).

Protective Cover	For use with	Part Number
10K-W Protective Cover	15K-W, 10K-W, 5000W, L1500W, 1000W without scatter shield	1G01332
10K-W / 15K-W Scatter Shield Cover	10K-W and 15K-W with Scatter Shield	7Z08345
30K-W Protective Cover	30K-W without Scatter Shield	1G02406
30K-W Scatter Shield Cover	30K-W with Scatter Shield	7Z08346

Sensor with  
10K-W Protective Cover



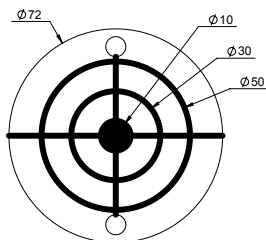
Sensor with  
30K-W Protective Cover



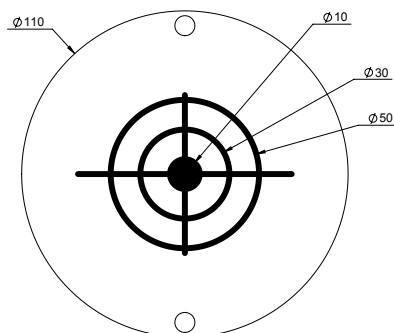
Protective Cover  
on Scatter Shield



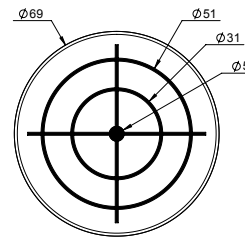
10K-W Protective Cover



30K-W Protective Cover



10K-W / 15K-W Scatter  
Shield Cover



30K-W Scatter Shield Cover

