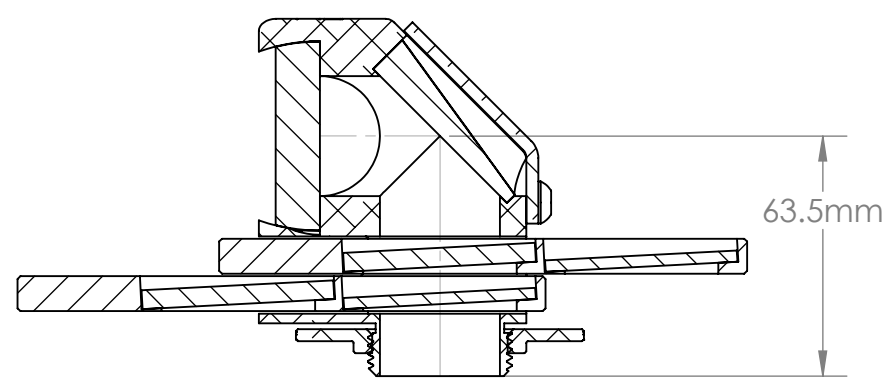


Part No.	Description
SP90351	LBS-400-UV
SP90354	LBS-400-NIR
SP90349	LBS-400-IR

BEAM PATH  
TOTAL = 133.4mm

SECTION A-A



SECTION B-B

