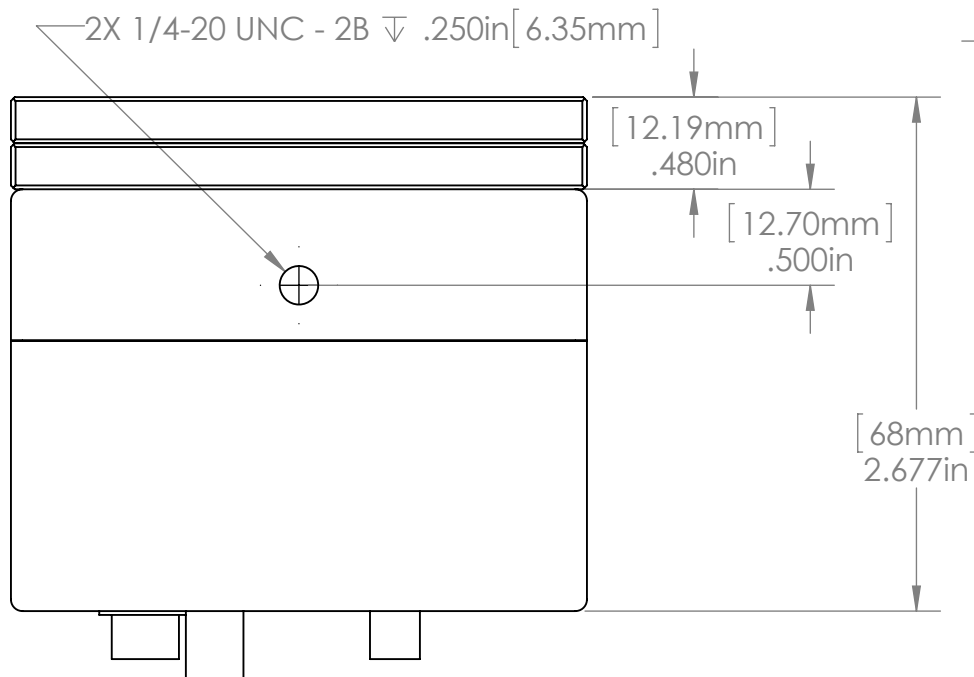
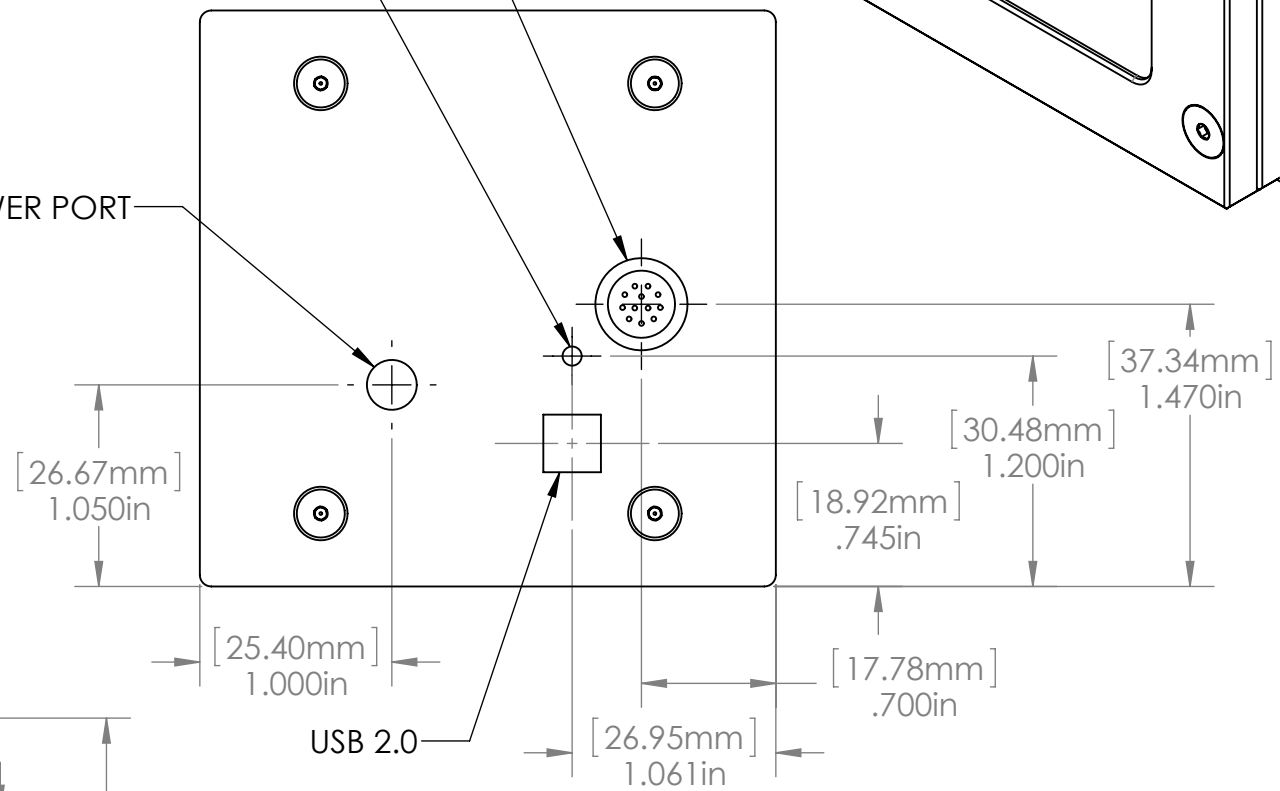


LED CONNECTION INDICATOR

TRIGGER PORT

POWER PORT



PART No.	DISCRIPTION
SP90319	BGS-USB-L11059
SP90320	BGP-USB-L11059