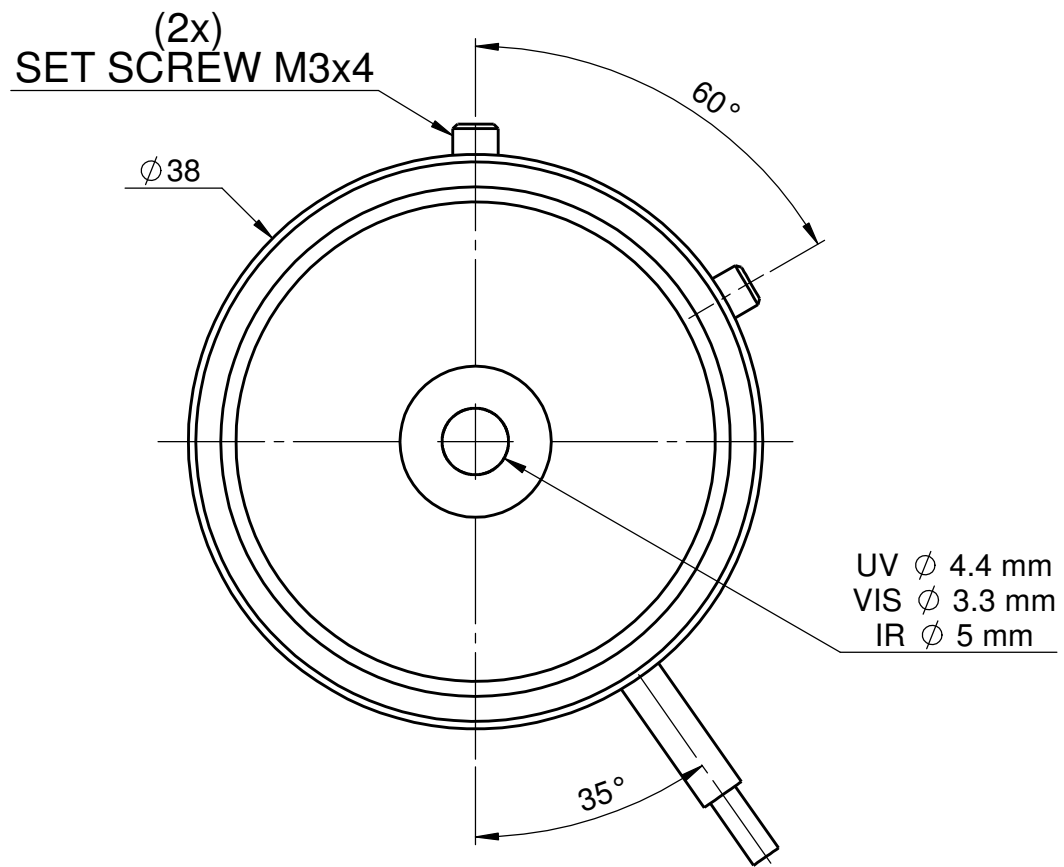
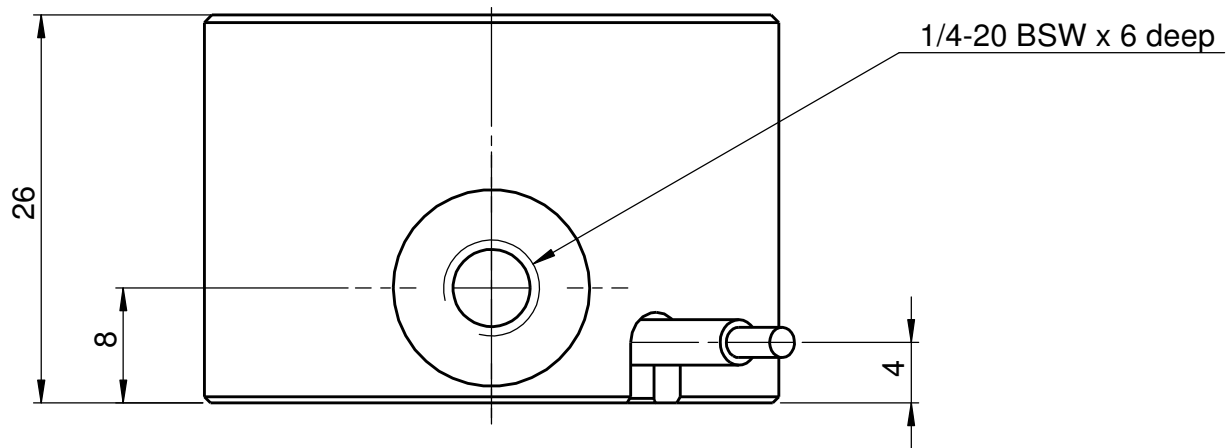


# IS6-D & Detectors

**Incorporated Detectors:**  
IS6-D-VIS / IS6-C-UV  
IS6-D-IR



## IS6-D

