

FL250A-LP1-DIF-33

PN 7Z02733

400mW to 250W

Features

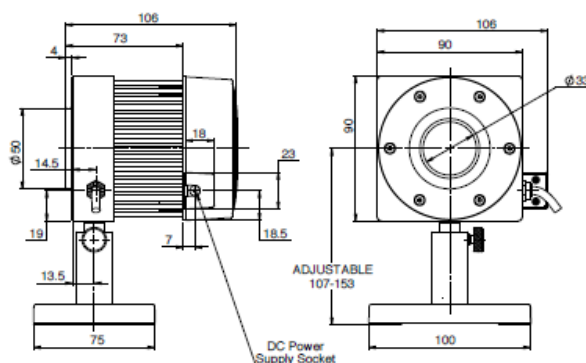
- General purpose and high damage threshold
- Fan cooled
- Powers to 250W
- Ø33mm aperture

FL250A-LP1-DIF-33



Model	FL250A-LP1-DIF-33
Use	Diffuser for highest energy densities
Absorber Type	LP1 + diffuser
Spectral Range μm	0.4 – 3
Absorption	20%
Aperture mm	Ø33mm
Power Mode	
Power Range	400mW - 250W ^(b)
Power Scales	250W / 30W
Power Noise Level	20mW ^(b, c)
Maximum Average Power Density kW/cm^2	2
Response Time with Meter (0-95%) typ. s	2.5
Power Accuracy +/-%	3 ^(a)
Linearity with Power +/-%	1.5
Energy Mode	
Energy Range	400mJ - 600J
Energy Scales	600J / 60J
Minimum Energy mJ	400 ^(b)
Maximum Energy Density J/cm^2	
<100ns	0.5
0.5ms	200
2ms	400
10ms	1000
Cooling	fan
Fiber Adapters Available (see page 83)	NA
Weight kg	0.45
Version	
Part number	7Z02733
Notes: (a)	Calibrated at specified wavelengths only: 532nm, 755nm, 1064nm and 2940nm
Notes: (b)	For lower powers up to 30W it is recommended to work with the fan off and then the noise level is ~5 times lower. It is also recommended to measure energy with the fan off.
Notes: (c)	When sensor is hot, there can be large zero offset up to 300mW

FL250A-LP1-DIF-33



Rev19/spc/13.06.18/eg