

1.1.2.7 High Power Thermal Sensors

1.1.2.7.2 High Power Water Cooled Thermal Sensors

5000W-LP1-50

20W to 5000W

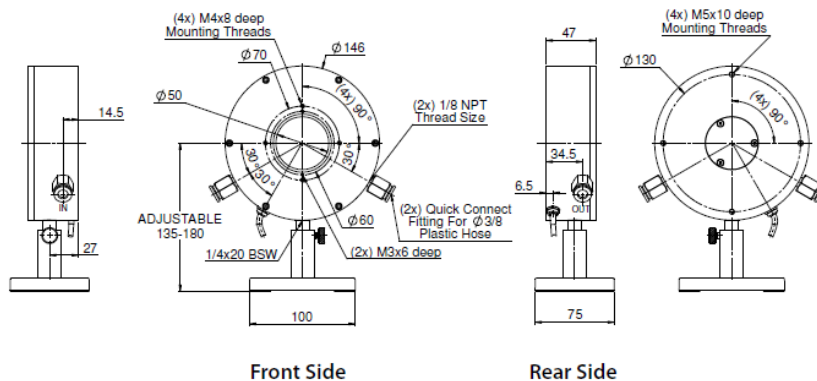
Features

- Powers up to 5000W
- Water cooled
- Ø50 aperture



Model	5000W-LP1-50
Use	High power densities and long pulses
Absorber Type	LP1
Spectral Range μm	0.35 – 2.2
Aperture mm	Ø50mm
Power Mode	
Power Range	20W - 5000W
Power Scales	5000W / 500W
Power Noise Level	1W
Maximum Average Power Density kW/cm ²	6 at 1000W 2 at 5000W
Response Time with Meter (0-95%) typ. s	3
Power Accuracy +/-%	5 ^(a)
Linearity with Power +/-%	2
Energy Mode	
Energy Range	NA
Energy Scales	NA
Minimum Energy mJ	NA
Maximum Energy Density J/cm ²	
<100ns	0.05
1 μs	0.3
0.5ms	20
2ms	50
10ms	200
Cooling	water
Fiber Adapters	Contact Ophir representative
Accessories for High Power Sensors	See pages 67, 68 & 69
Percent of Light Backscattered	
Minimum Water Flow Rate at Full Power	10 liter/min ^(b)
Cable Length	1.5 meters
Weight Kg	2.8
Version	
Part number	7Z02760S
Notes: (a)	Calibrated for ~0.8 μm and 1.064 μm
Notes: (b)	Water temperature range 18-30°C. Water temperature rate of change <1°C/min. Pressure drop across sensor 0.06MPa.

5000W-LP1-50



Rev14/spc/24.04.17/eg