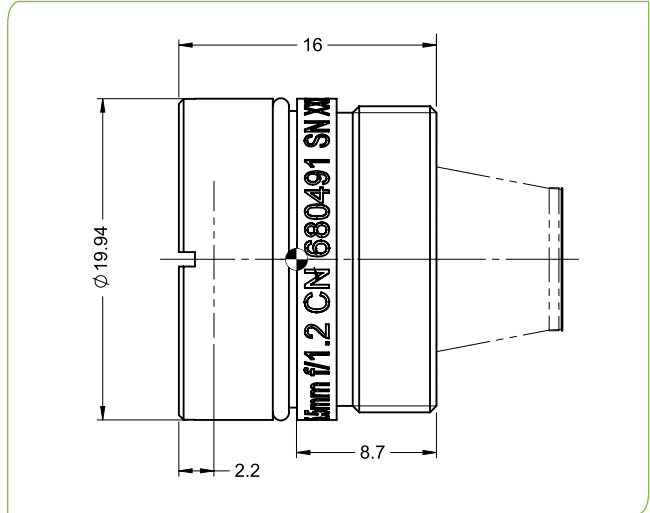


SupIR 5.5mm f/1.2 Fixed Athermalized 680491

NEW



HFOV	160x120	320x240	384x288	640x512	672x544
25μ	42.5°				
17μ	28.6°	58.7°	71.5°		
12μ	20.1°	40.7°	49.2°	86.1°	
10μ		33.7°	40.7°	70°	73.9°

Property	Value
Optical	
Focal Length	5.5mm
F/#	1.2
Average transmission (8-12μm)	83% (HC)
Back Focal Length	8.73mm in air
Mechanical	
Focus Mechanism	Fixed
Focus Range	1m to infinity
Depth of field	0.7m to infinity
Max. Dimensions	Ø19.94 x 16mm
Weight	13gr
Environmental	
Operation Temperature	-40°C to +80°C
Storage Temperature	-55°C to +85°C
Sealing	IP67 front element only
Configurations	
680491 - 001	Hard carbon, Midwave Blocking Filter