

# SupIR 80-1200mm f/5.5 Motorized Continuous Zoom 680478

NEW



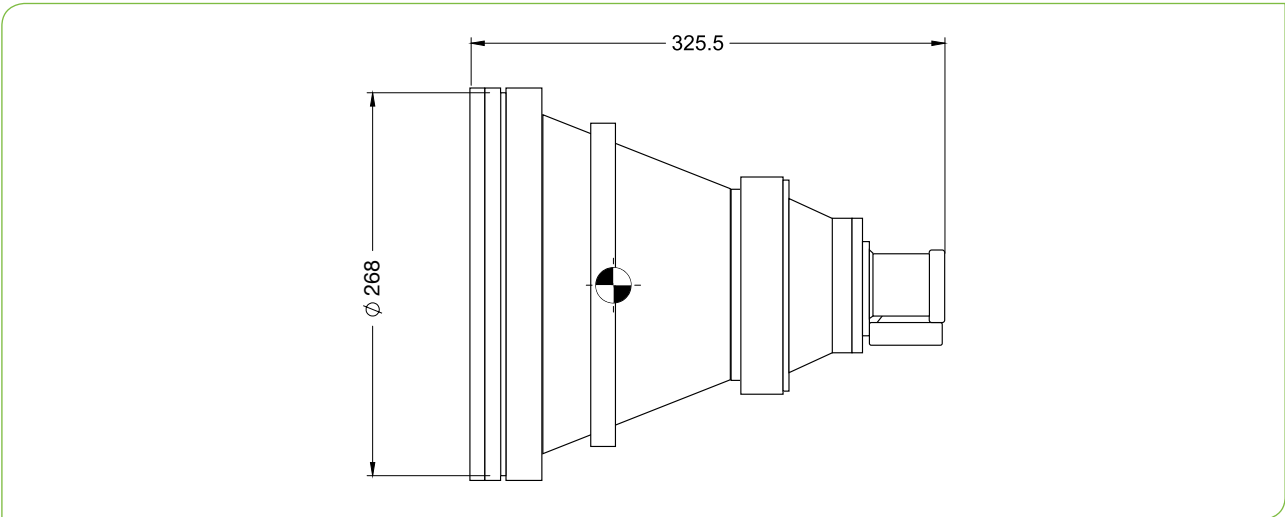
## WFOV (80mm)

HFOV	640x512
15μ	7.1°

## NFOV (1200mm)

HFOV	640x512
15μ	0.5°

Property	Value	
<b>Optical</b>	<b>Narrow FOV</b>	<b>Wide FOV</b>
Focal Length	1200	80
F#	5.5	
Average transmission (3.4-5.0μm)	≥80% (LRHC) / ≥85% (HD)	
Cold stop to FPA Distance	19.7mm	
Cold Stop CA	Ø3.52mm	
Back Focal Length	23.52mm in air	
Distortion	<5%	
Minimum Focusing Range	220m	5m
Nuc (by defocus)	Yes	
<b>Mechanical</b>		
Focus Mechanism	Motorized	
Focus Time (minimum range to ∞)	≤8 sec.	
Zoom mechanism	Motorized	
Zoom Time (NFOV to WFOV)	≤ 5 sec	
Max. Dimensions	Ø268mm x 325.5mm	
Weight	7.4kg	



MWIR | ZOOM

Property	Value
<b>Electrical</b>	
Lens Control	Designated lens controller
Drive Voltage	12VDC
Current Consumption	0.5A average, 1.0A peak at T= -32°C; 0.2A average, 1.0A peak at T ≥ 20°C
Communication Protocol	RS458, RS422
<b>Environmental</b>	
Operation Temperature	-32°C to +70°C
Storage Temperature	-54°C to +85°C
Sealing	IP67 front element only
<b>Configurations</b>	
680478-001	High Durability
680478-002	Low Reflection Hard Carbon