

SupIR 60-1200mm f/4 Motorized Continuous Zoom 680475 / 680476

NEW

HD
FORMAT



WFOV (60mm)

HFOV	640x512
15μ	8.6°
10μ	5.9°

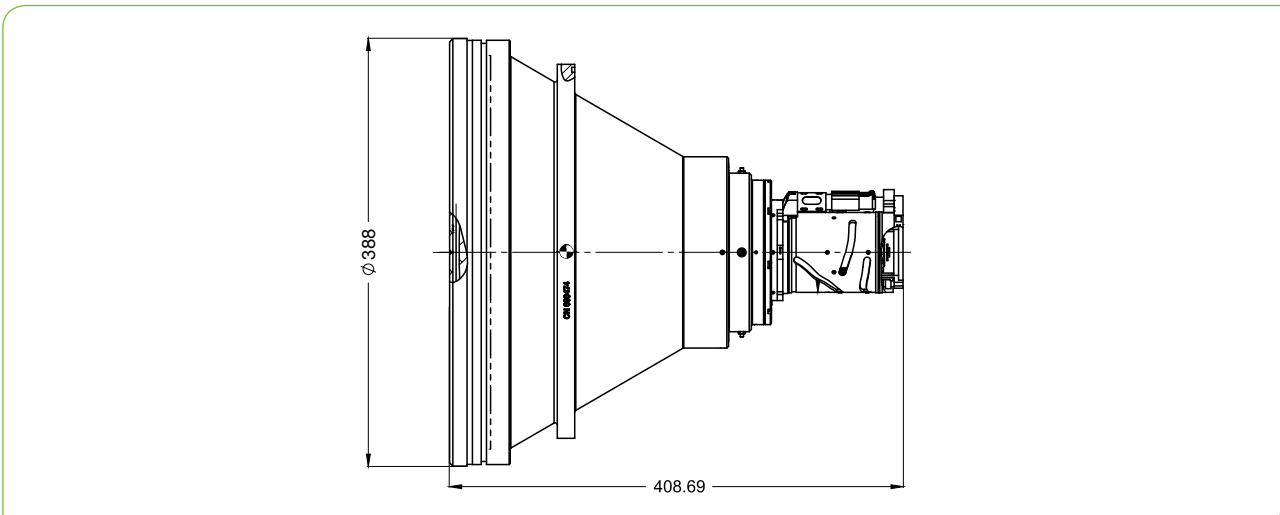
WFOV (100mm)

HFOV	640x512	1280x1024
15μ	5.3°	
10μ	3.6°	6.8°

NFOV (1200mm)

HFOV	640x512	1280x1024
15μ	0.5°	
10μ	0.3°	0.6°

Property	Value	
	Narrow FOV	Wide FOV
Optical		
Focal Length	1200	60
F#	4	
Average transmission (3.4-5.0μm)	≥ 70% (LRHC)	
Cold stop to FPA Distance	19.4mm (680475) / 20.5mm (680476)	
Cold Stop CA	4.85mm (680475) / 5.125mm (680476)	
Back Focal Length	24.4mm in air (680475) / 25.1mm in air (680476)	
Distortion (in diagonal)	<5%	<7%
Minimum Focusing Range	<200m	<5m
Nuc (by defocus)	Yes	
Mechanical		
Focus Mechanism	Motorized	
Focus Time (minimum range to ∞)	≤1 sec.	
Zoom mechanism	Motorized	
Zoom Time (NFOV to WFOV)	≤ 8 sec at -32°C; ≤ 5 sec. at T≥20°C (at max. speed)	
Max. Dimensions	Ø388mm x 409.2mm	
Weight	14.6kg	



MWIR | ZOOM

Property		Value			
Electrical					
Lens Control		Designated lens controller			
Drive Voltage		12VDC			
Current Consumption		0.5A average, 1.0A peak at T= -32°C; 0.2A average, 1.0A peak at T ≥ 20°C			
Communication Protocol		RS422			
Environmental					
Operation Temperature		-32°C to +75°C			
Storage Temperature		-54°C to +85°C			
Sealing		IP67 front element only			
Configurations	Description	FPA	Pixel Pitch	CSH	Coating
680475-001	60-1200mm	640x512	15μ	19.4	High Durability
680475-002					Low Reflection Hard Carbon
680475-003	100-1200mm	1280x1024	10μ		High Durability
680475-004					Low Reflection Hard Carbon
680476-001	60-1200mm	640x512	15μ	20.5	High Durability
680476-002					Low Reflection Hard Carbon
680476-003	100-1200mm	1280x1024	10μ		High Durability
680476-004					Low Reflection Hard Carbon