

SupIR 50-700mm f/5.5, Motorized Continuous Zoom 680472

NEW



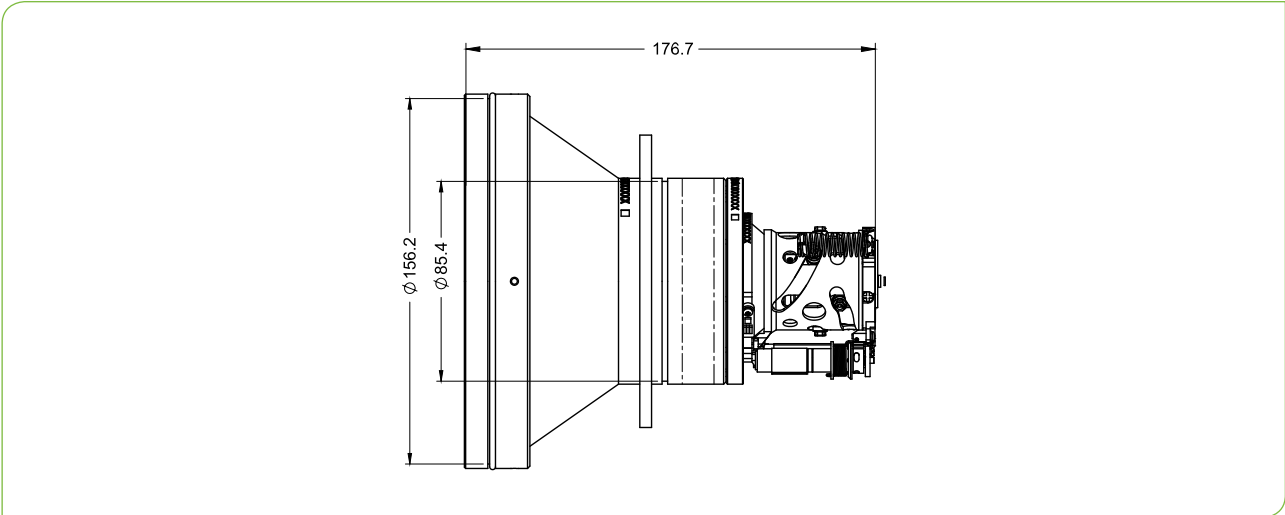
WFOV(50mm)

HFOV	320x240	384x288	640x512
20μ	7.6°	9.1°	
15μ	5.7°	6.8°	11.4°

NFOV(700mm)

HFOV	320x240	384x288	640x512
20μ	0.5°	0.6°	
15μ	0.4°	0.5°	0.8°

Property	Value	
Optical	WFOV	NFOV
Focal Length	50mm	700mm
F/#	5.5	
Average Transmission (3.7-4.7μm)	>80% (HC)	
Cold Stop to FPA Distance	19.7mm	
Cold Stop CA	Ø3.52mm	
Back Focal Length	23.52 mm in air	
Minimum Focus Range	1m	33m
Nuc (by defocus)	Yes	
Mechanical		
Focus Mechanism	Motorized	
Focus Time (minimum range to ∞)	≤8 sec.	
Zoom Mechanism	Motorized	
Zoom Time (NFOV to WFOV)	≤5 sec.	
Weight	1.64 kg	
Max. Dimensions	Ø156.2 x 176.7mm	



MWIR | ZOOM

Property	Value
Electrical	
Lens Control	Designated Lens Controller
Supply Voltage	12V (Can be configured to 6V-12V)
Current Consumption	0.5A average, 1.0A peak at T = -32°C; 0.2A average, 1.0A peak at T ≥ 20°C
Communication Protocol	RS485, RS422
Environmental	
Operating Temperature	-32°C to + 70°C
Storage Temperature	-40°C to + 80°C
Sealing	IP67 front element only
Configurations	
680472-001	High Durability
680472-002	Hard Carbon