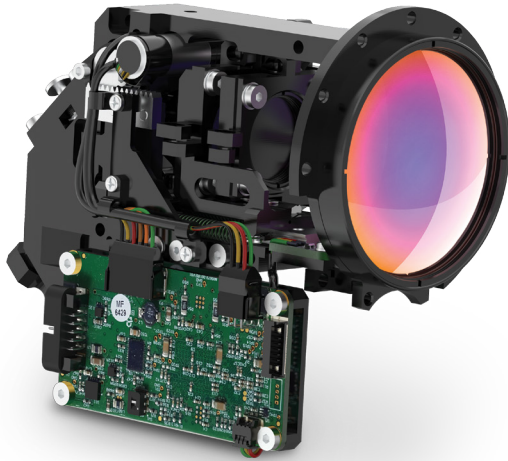


# LightIR 16-180mm f/3.6, Motorized Continuous Zoom 680389

**NEW**



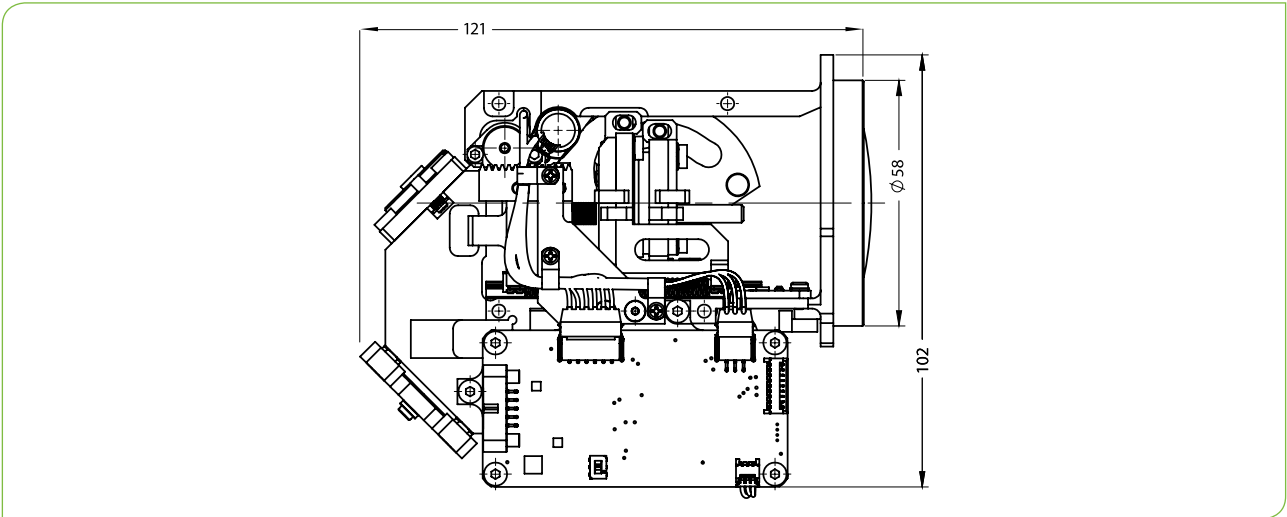
#### WFOV(16mm)

HFOV	640x480
10μ	22.6°

#### NFOV(180mm)

HFOV	640x480
10μ	2°

Property	Value	
<b>Optical</b>	<b>WFOV</b>	<b>NFOV</b>
Focal Length	16mm	180mm
F/#	3.6	3.6
Average transmission (3.4-4.2μm)	≥80% (LRHC); >82% (HD)	
Cold stop to FPA Distance	12mm	
Cold Stop CA	Ø3.37mm	
Back Focal Length	23.08mm in air	
Distortion (in diagonal)	<2%	<2%
Minimum Focusing Range	5m	50m
Nuc (by defocus)	Blur to 7mm diameter	
<b>Mechanical</b>		
Focus Mechanism	Motorized. Adjustable	
Focus Time (minimum range to ∞)	≤5.5 sec.	
Zoom Time (NFOV to WFOV)	≤1 sec.	
Weight	460gr	
Max. Dimensions	Length 121mm; Width 70mm; height 102mm	



MWIR | ZOOM

Property	Value
<b>Electrical</b>	
Lens Control	Designated lens controller
Supply Voltage	12V (Can be configured to 6V-12V)
Current Consumption	< 0.5A average, 1.0A peak
Communication Protocol	RS422, RS232
<b>Environmental</b>	
Operation Temperature	-32°C to +75°C
Storage Temperature	-54°C to +85°C
Sealing	IP67 front lens only
<b>Configurations</b>	
680389-001	High Durability
680389-002	Low Reflection Hard Carbon