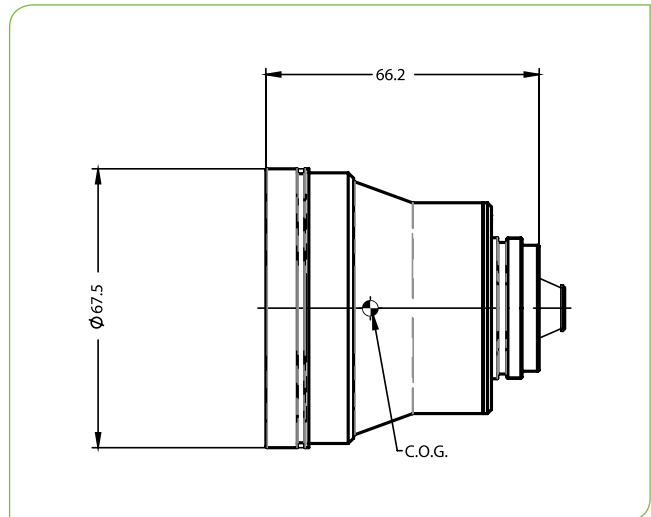


# SupIR 55mm f/1.0, Fixed Athermalized 680372

TYPICAL ICD



**HD  
FORMAT**



LWIR | 1-FOV

HFOV	160x120	320x240	384x288	640x480	1024X768
25μ	4.2°	8.3°	10.0°		
17μ	2.8°	5.7°	6.8°	11.3°	
12μ	2.0°	4.0°	4.8°	8.0°	12.7°
10μ	1.7°	3.3°	4.0°	6.4°	10.6°

Property	Value
<b>Optical</b>	
Focal Length	55mm
F/#	1.0
Average Transmission in (8-12μm)	82% (HC)
Back Focal Length	12.03mm in air
<b>Mechanical</b>	
Focus Mechanism	Fixed
Depth of Field	150m to infinity
Focus Range	1.5m to infinity
Weight	177gr
Max. Dimensions	Ø67.5mm x 66.2mm
<b>Environmental</b>	
Operating Temperature	-40°C to +80°C
Storage Temperature	-54°C to +85°C
Sealing	IP 67 front element only
<b>Configurations</b>	
680372-001	High Durability
680372-002	Hard Carbon