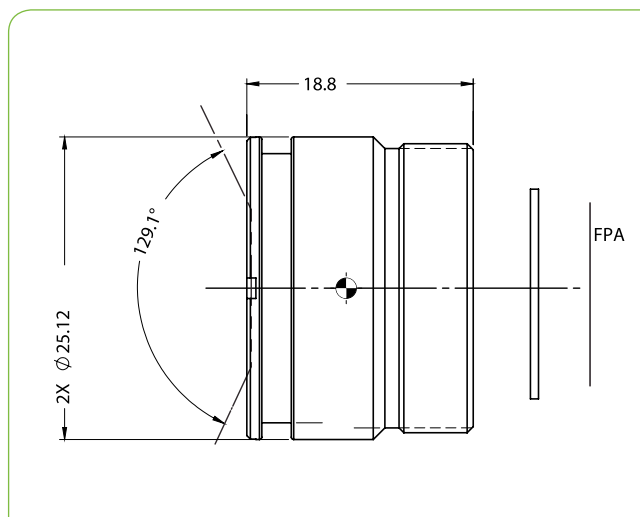


SupIR 7.5mm f/1.2, Fixed Athermalized 680331

TYPICAL ICD



**HD
FORMAT**



HFOV	160x120	320x240	384x288	640x480	1024x768
25μ	31.0°	63.9°	78.3°		
17μ	30.0°	42.5°	51.4°	90.9°	
12μ	14.8°	29.7°	35.8°	61.1°	106.5°

Property	Value
Optical	
Focal Length	7.48mm
F/#	1.22
Average Transmission (7.5-12μm)	97% (HD) / 91% (HC)
Back Focal Length	11.99mm in air
Mechanical	
Focus Mechanism	Fixed
Depth of Field	2m to infinity
Focus Range	0.4m to infinity
Weight	24.5gr
Max. Dimensions	Ø25.12mm x 18.8mm
Environmental	
Operating Temperature	-40°C to +80°C
Storage Temperature	-50°C to +85°C
Sealing	IP 67 front element only
Configurations	
680331-001	High Durability
680331-002	Low Reflection Hard Carbon