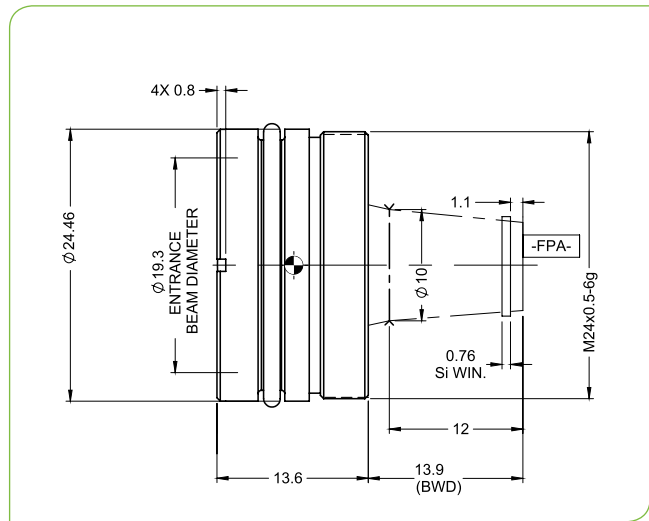


# SupIR 19.8mm f/1.2, Fixed Athermalized 680312

TYPICAL ICD



HFOV	160x120	320x240	384x288	640x480
25μ	11.5°	22.6°		
17μ	7.8°	15.5°	18.6°	
12μ	5.5°	11.0°	13.2°	21.7°

Property	Value
<b>Optical</b>	
Focal Length	19.8mm
F/#	1.2
Average Transmission (8-12μm)	87% (HC)
Back Focal Length	13.45mm in air
<b>Mechanical</b>	
Focus Mechanism	Fixed
Depth of Field	20m to infinity
Focus Range	0.5m to infinity
Weight	14.9gr
Max. Dimensions	Ø24.46mm x 13.6mm
<b>Environmental</b>	
Operating Temperature	-40°C to +80°C
Storage Temperature	-54°C to +85°C
Sealing	IP 67 front element only
<b>Configurations</b>	
680312-001	High Durability
680312-002	Hard Carbon