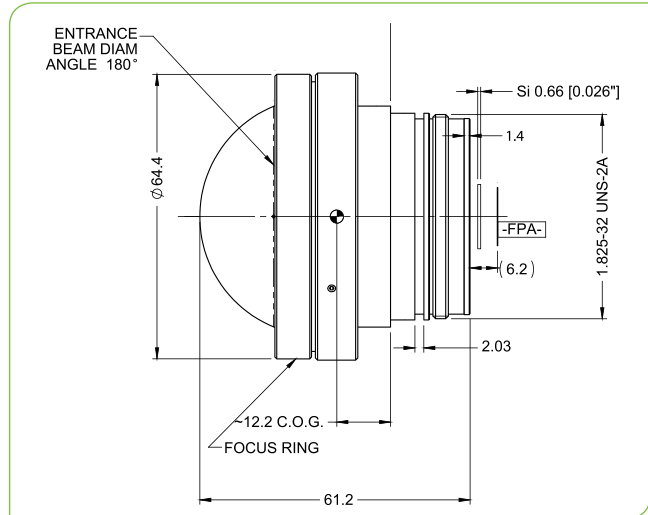


SupIR 4.2mm f/1.4, Fixed Athermalized 680240

TYPICAL ICD



**HD
FORMAT**



LWIR | 1-FOV

HFOV	160x120	320x240	384x288	640x480	1024x768
25μ	54.6°	109.3°	131.3°	180°	
17μ	37.1°	74.3°	89.2°	148.9°	180°
12μ	26.2°	52.5°	62.9°	104.8°	168.5°

Property	Value
Optical	
Focal Length	4.2mm
F/#	1.4
Average Transmission (8-12μm)	96% (HD)
Back Focal Length	12.44mm
Mechanical	
Focus Mechanism	Fixed
Depth of Field	1m to infinity
Focus Range	0.1mm to infinity
Weight	290gr
Max. Dimensions	Ø63mm x 60.7mm
Environmental	
Operating Temperature	-40°C to +80°C
Storage Temperature	-50°C to +85°C
Sealing	IP 67 front element only
Configurations	
680240-001	High Durability
680240-002	Hard Carbon