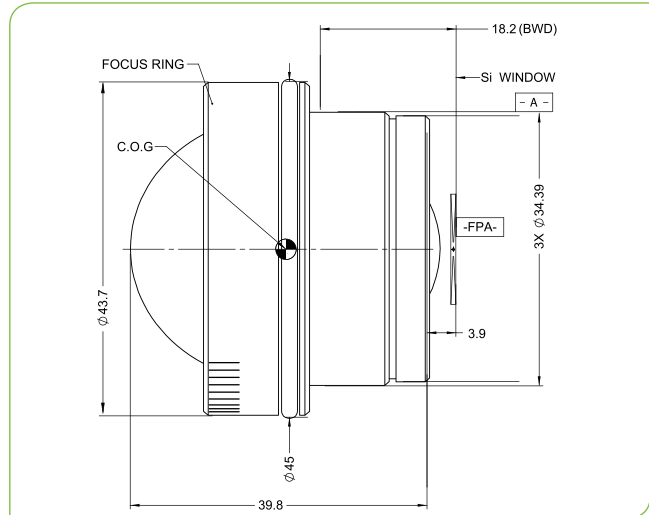


SupIR 2.6mm f/1.4, Fixed Athermalized 680239

TYPICAL ICD



**HD
FORMAT**



LWIR | 1-FOV

HFOV	160x120	320x240	384x288	640x480	1024x768
25μ	87.3°	176.0°	180°	180°	
17μ	59.3°	118.9°	143.0°	180°	180°
12μ	41.9°	83.8°	100.5°	168.8°	180°

Property	Value
Optical	
Focal Length	2.6mm
F/#	1.4
Average Transmission (8-12μm)	96% (HD)
Back Focal Length	8.03mm in air
Mechanical	
Focus Mechanism	Fixed
Focus Range	0.1m to infinity
Depth of Field	0.25m to infinity
Weight	90gr
Max. Dimensions	Ø43.7mm x 39.6mm
Environmental	
Operating Temperature	-40°C to +80°C
Storage Temperature	-50°C to +85°C
Sealing	IP 67 front element only
Configurations	
680239-001	High Durability BWD=18.2mm
680239-002	Hard Carbon BWD=18.2mm
680239-003	M34x0.5 High Durability
680239-004	M34x0.5 Hard Carbon