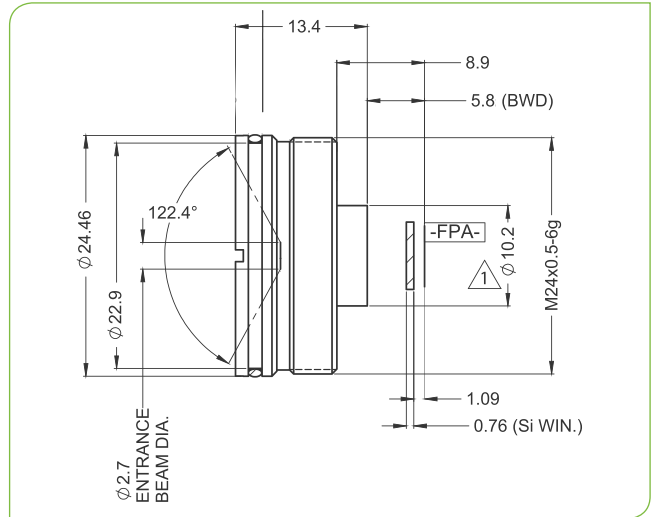


# SupIR 3.8mm f/1.4, Fixed Athermalized 680235

TYPICAL ICD



HFOV	160x120	320x240
25μ	63.0°	
17μ	41.8°	89.9°
12μ	29.2°	60.3°

Property	Value
<b>Optical</b>	
Focal Length	3.8mm
F/#	1.4
Average Transmission (8-12μm)	96% (HD)
Back Focal Length	9.23mm in air
<b>Mechanical</b>	
Focus Mechanism	Fixed
Depth of Field	1m to infinity
Focus Range	0.1m to infinity
Weight	8.5gr
Max. Dimensions	Ø21.4mm x 11.3mm
<b>Environmental</b>	
Operating Temperature	-40°C to +80°C
Storage Temperature	-50°C to +85°C
Sealing	IP 67 front element only
<b>Configurations</b>	
680235-001	High Durability M24x0.5
680235-002	Hard Carbon M24x0.5
680235-003	High Durability M19x0.5
680235-004	Hard Carbon M19x0.5