

SupIR 9.8mm f/1.25, Fixed Athermalized 680138

TYPICAL ICD

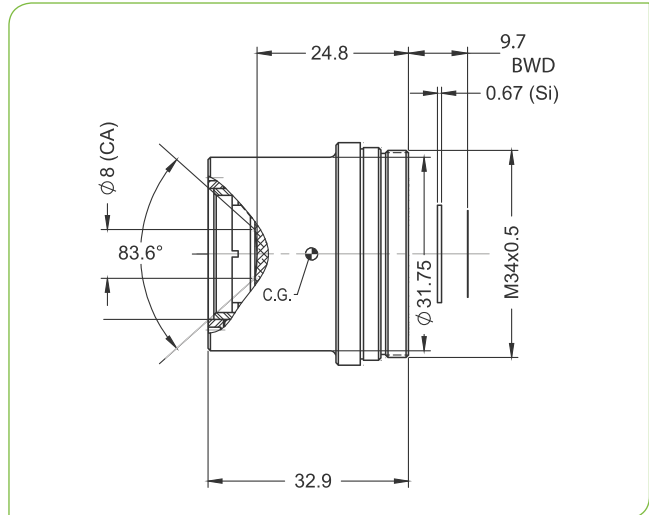


680138-001

**HD
FORMAT**



680138-002



HFOV	160x120	320x240	384x288	640x480	1024x768
25μ	23.2°	46.9°	56.7°		
17μ	15.7°	31.6°	38.0°	64.9°	
12μ	11.1°	22.2°	26.7°	44.9°	74.3°

Property	Value
Optical	
Focal Length	9.8mm
F/#	1.25
Average Transmission (8-12μm)	96% (HE) / 88% (HC)
Back Focal Length	13.94mm in air
Mechanical	
Focus Mechanism	Fixed
Focus Range	0.3m to infinity
Depth of Field	5m to infinity
Weight	75gr
Max. Dimensions	Ø31.75mm x 36.5mm
Environmental	
Operating Temperature	-30°C to +70°C
Storage Temperature	-51°C to +95°C
Sealing	IP 67 for 680138-002
Configurations	
680138-001	High Efficiency, Unsealed
680138-002	Hard Carbon, IP67