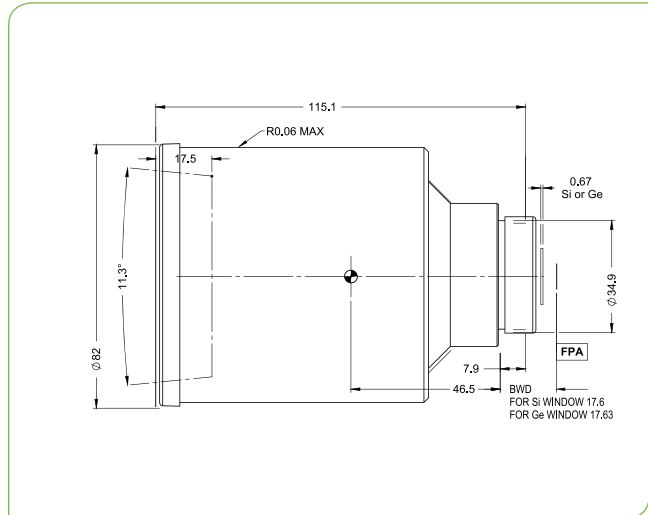
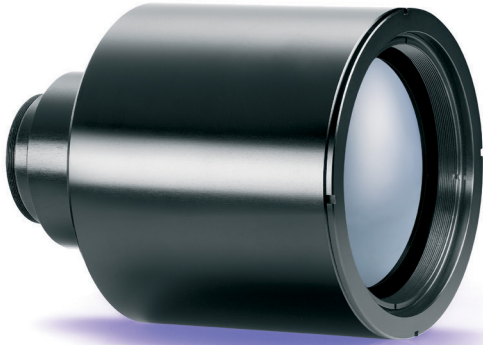


# SupIR 100mm f/1.6, Fixed Athermalized 680026

TYPICAL ICD

**HD  
FORMAT**



LWIR | 1-FOV

HFOV	160x120	320x240	384x288	640x480	1024x768
25μ	2.3°	4.6°	5.5°	9.1°	
17μ	1.6°	3.1°	3.7°	6.2°	9.8°
12μ	1.1°	2.2°	2.6°	4.4°	7.0°

Property	Value
<b>Optical</b>	
Focal Length	100mm
F/#	1.6
Average Transmission (8-12μm)	88% (HC)
Back Focal Length	21.33mm in air
<b>Mechanical</b>	
Focus Mechanism	Fixed Focus
Focus Range	3m to infinity
Depth of Field	400m to infinity
Weight	461gr
Max. Dimensions	Ø82mm x 112.1mm
<b>Environmental</b>	
Operating Temperature	-10°C to +80°C
Storage Temperature	-50°C to +85°C
Sealing	IP 67 front element only
<b>Configurations</b>	
680026-006	Hard Carbon