

SupIR 25/80/320mm f/4.0, Motorized Focus 680024



MWIR | Multiple FOV

WFOV(25mm)

HFOV	320x240	480x384	640x512
30μ	21.7°	31.9°	
20μ	14.6°	21.7°	28.5°
15μ	11.0°	16.4°	21.7°

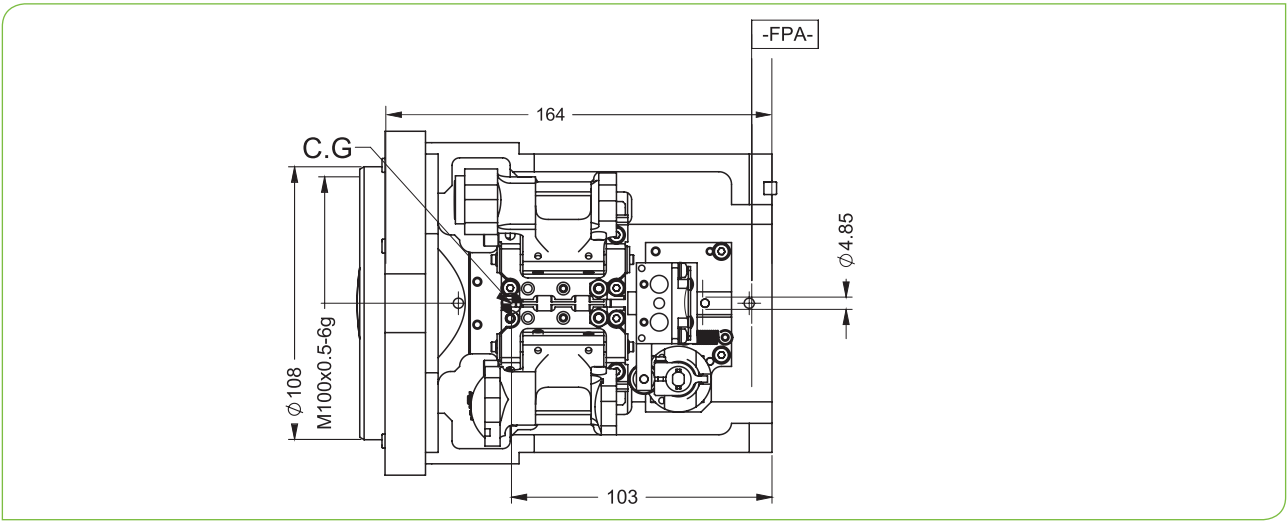
MFOV(80mm)

HFOV	320x240	480x384	640x512
30μ	6.9°	10.1°	
20μ	4.6°	6.9°	9.1°
15μ	3.5°	5.2°	6.9°

NFOV(320mm)

HFOV	320x240	480x384	640x512
30μ	1.7°	2.5°	
20μ	1.1°	1.7°	2.2°
15μ	0.9°	1.3°	1.7°

Property	Value		
	WFOV	MFOV	NFOV
Optical			
Focal Length	25mm	80mm	320mm
F/#	4.0		
Average Transmission (3.4-5μm)	96%(HD)		
Back Focal Length	26.5mm in air		
Mechanical			
Focus Mechanism	Motorized		
Focus Range	5m to infinity	10m to infinity	50m to infinity
Focus Switch Time	<5 sec.		
FOV Mechanism	Motorized		
FOV Switch Time	<1 sec.		
Weight	1.52Kg		
Max. Dimensions	Ø134mm x 165.5mm		



MWIR | Multiple FOV

Property	Value
Electrical	
Focus Motor	6VDC I _{max} < 0.06A (Contin. Current 0.05A)
FOV Motor	6VDC I _{max} < 0.06A (Contin. Current 0.05A)
Environmental	
Operating Temperature	-20°C to +65°C
Storage Temperature	-40°C to +71°C
Sealing	IP 67 front element only
Vibration-Operation	Composite wheeled vehicle, Vertical:2.1grms, Transverse: 1.6grms, Longitudinal: 1.96grms
Vibration-Storage	Composite wheeled vehicle, Vertical:2.1grms, Transverse: 1.6grms, Longitudinal: 1.96grms
Mechanical Shock-Storage & Storage	40g, 11ms
Configurations	
680024-003	Hard Carbon, CSH=19.4mm, BWD=6.85mm, BFL=26.53mm
680024-004	High Durability, CSH=19.4mm, BWD=6.85mm, BFL=26.53mm