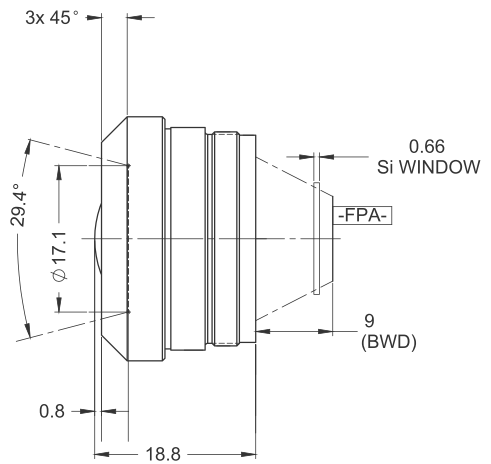


# SupIR 19mm f/1.1, Fixed Athermalized 65221

TYPICAL ICD



**HD**  
FORMAT



HFOV	160x120	320x240	384x288	640x480	1024x768
25μ	11.9°	23.6°	28.3°		
17μ	8.1°	16.1°	19.3°	32.1°	
12μ	5.7°	11.4°	13.7°	22.7°	36.3°

Property	Value
<b>Optical</b>	
Focal Length	19mm
F/#	1.1
Average Transmission (8-12μm)	94% (HD)
Back Focal Length	11.51mm in air
<b>Mechanical</b>	
Focus Mechanism	Fixed
Focus Range	0.6m to infinity
Depth of Field	12.5m to infinity
Weight	20gr
Max. Dimensions	Ø28.5mm x 18.1mm
<b>Environmental</b>	
Operating Temperature	-40°C to +80°C
Storage Temperature	-57°C to +105°C
Sealing	65221-02 Not sealed 65221-04 IP67 front element only
<b>Configurations</b>	
65221-02	High Durability, not sealed
65221-04	Hard Carbon IP 67 front element only sealed

LWIR | 1-FOV